

# NITRON® Cold Draft 4:1-12:1, CE UK

Height: 34.0" Width: 9.8" Depth: 29.8"  
(86.4cm) (24.9cm) (75.7cm)



- Serve different coffees or teas, one Nitro and one Still, using two 3.78 liter ball-valve concentrate BIBs or BUNN refillable containers
- Patented High Intensity® mixing chamber assures a perfectly blended finished beverage, from cup to cup
- Chrome-plated brass tap handles and nitro stout nozzles provide the quality-oriented craft experience of serving a premium beverage on tap
- Automatic water bath fill maintains water bath level for optimal cold beverage capacity
- Sleek, all-black door complements any commercial setting
- Flashing red LED light on door alerts the operator when to replenish nitrogen tank
- At a rate of one 473 ml drink per minute, can dispense 60 drinks before exceeding 5°C (@23.9°C incoming water)
- Refrigerated product cabinet protects flavor integrity and product life
- Large dispense area accommodates taller cups and carafes up to 22.3 cm
- Service-friendly design makes set-up and maintenance simple

 Tank Regulator Required

Agency:



## Specifications

**Product #:** 51600.0025  
**Flavors:** 2 Flavors  
**Product Ratio:** 4:1-12:1  
**Connector:** Ball-valve  
**Water Access:** Plumbed  
**Finish:** Black  
**Door:** Un-Lit  
**Refrigerant:** R-134A

## Additional Features

## Electrical & Capacity

| Volts*  | Amps      | Watts   | Cord Attached | Plug Type | 8oz cups/hr<br>236ml cups/hr | Input H <sup>2</sup> O Temp. | Phase | # Wires plus Ground | Hertz |
|---------|-----------|---------|---------------|-----------|------------------------------|------------------------------|-------|---------------------|-------|
| 220-240 | 2.25-2.75 | 410-520 | Yes           | UK 13A    | -                            | 60°F (15.5°C)                | 1     | 2                   | 50-60 |

\*When a BUNN is machine rated 120/208-240V, 120/208V or 120/240V, the higher voltage is the supply voltage needed to power the machine. The 120V is there to supply power to some components rated 120V in the machine, but it is not the supply voltage and would not power the machine if the machine is marked with the before mentioned ratings.

## Plumbing Requirements

| PSI   | kPa     | Fitting Supplied        | Water Flow Required (GPM) |
|-------|---------|-------------------------|---------------------------|
| 30-90 | 207-621 | 3/8" Male Flare Fitting | 0.94                      |

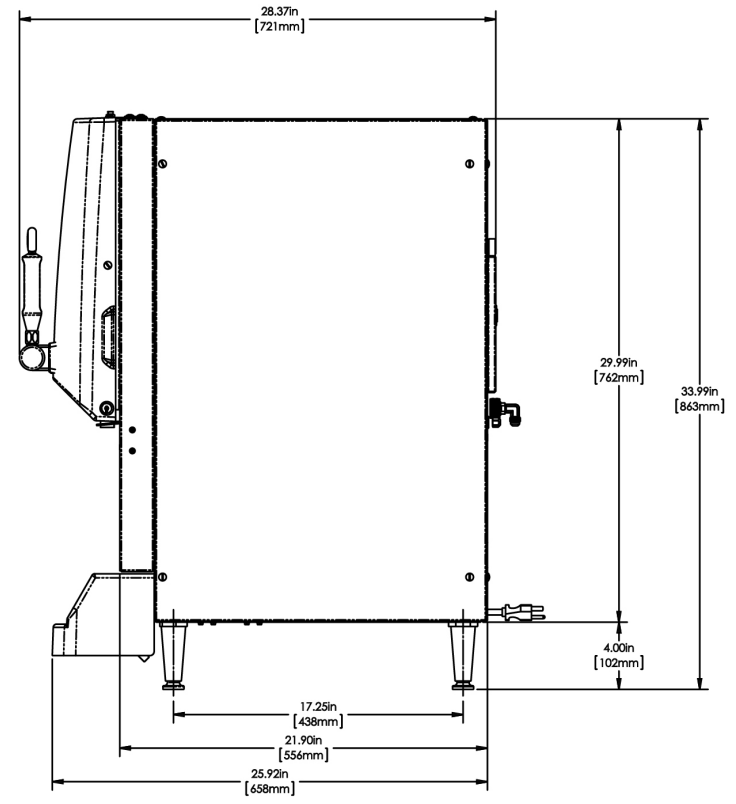
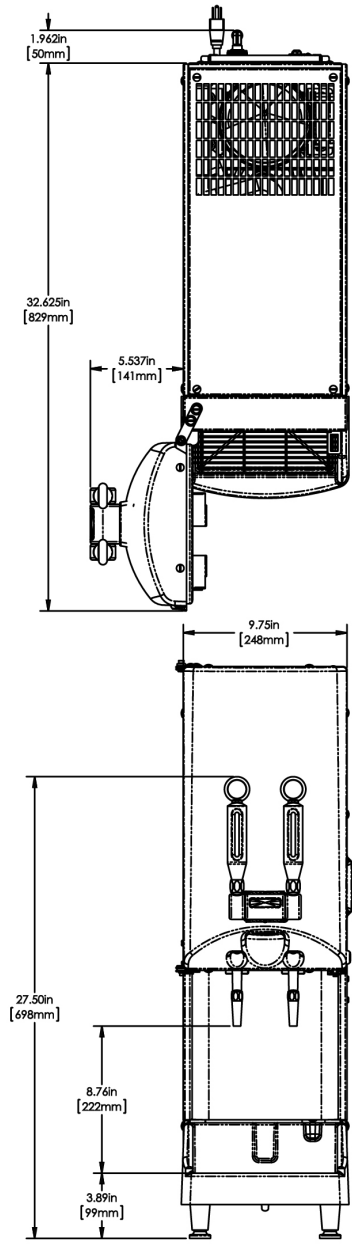
## CAD Drawings

| 2D | Revit | KLC |
|----|-------|-----|
| ●  |       |     |



BUNN® reserves the right to change specifications and product design without notice. Such revisions do not entitle the buyer to corresponding changes, improvements, additions or replacements for previously purchased equipment. For most current specifications and other info visit [bunn.com](http://bunn.com).

Last Updated:  
04/08/2021



| Unit    |          |         |          | Shipping |          |          |             |            |
|---------|----------|---------|----------|----------|----------|----------|-------------|------------|
|         | Height   | Width   | Depth    | Height   | Width    | Depth    | Weight      | Volume     |
| English | 34.0 in. | 9.8 in. | 29.8 in. | 43.7 in. | 22.8 in. | 30.5 in. | 118.120 lbs | 17.543 ft³ |
| Metric  | 86.4 cm  | 24.9 cm | 75.7 cm  | 111.0 cm | 57.8 cm  | 77.5 cm  | 53.579 kgs  | 0.497 m³   |



BUNN® reserves the right to change specifications and product design without notice. Such revisions do not entitle the buyer to corresponding changes, improvements, additions or replacements for previously purchased equipment. For most current specifications and other info visit [bunn.com](http://bunn.com).

Last Updated: 04/08/2021

Related Products & Accessories: NITRON® Cold Draft 4:1-12:1, CE UK(51600.0025)

SANITIZER, KAY-5  
(BOX-200 PKTS)

---

Product #: 24634.0000



SANITIZER, KAY-5  
(BOX-50 PKTS)

---

Product #: 24634.0001



CONTAINER ASSY,  
REFILLABLE

---

Product #: 39302.0000



KIT, SWITCH COVER - 2  
VALVE CBDSPCT

---

Product #: 45536.1002

# Serving & Holding Options: NITRON® Cold Draft 4:1-12:1, CE UK(51600.0025)

\*Serving and Holding selections are currently unavailable. Please contact your sales representative to find out more information.\*



BUNN® reserves the right to change specifications and product design without notice. Such revisions do not entitle the buyer to corresponding changes, improvements, additions or replacements for previously purchased equipment. For most current specifications and other info visit [bunn.com](http://bunn.com).

Last Updated:  
04/08/2021