

2SH Soft Heat® Stand, WiFi

Height: 9.3" Width: 20.2" Depth: 11.8"
(23.6cm) (51.3cm) (30.0cm)

- Soft Heat® wireless server monitoring provides operator staff a dashboard view of all servers on location to assure fresh coffee is always available
- The dashboard shows the age of the coffee and alerts staff when it has expired, or when the server is empty
- The dashboard works with tablets, smart phones and laptops that have WiFi
- Password protected access prevents unauthorized viewing
- All communications are done through the Infusion Soft Heat brewer and access to the site's WiFi system is not needed
- Remote two server docking station for additional satellite coffee serving
- Docking station provides instant power contact to servers
- Soft Heat® stand supplies power to servers, to provide controlled heat for ideal maintenance of flavor and temperature
- Compatible with round BUNN Infusion Series Soft Heat servers
- Durable all stainless steel construction
- Contemporary styling



Agency:



Specifications

Product #: 27875.0201

Finish: Stainless

Legs: 4" Stainless Steel Legs

Additional Features

Electrical & Capacity

Volts*	Amps	Watts	Cord Attached	Plug Type	8oz cups/hr 236ml cups/hr	Input H ² O Temp.	Phase	# Wires plus Ground	Hertz
120	1.8	216	Yes	NEMA 5-15P	-	60°F (15.5°C)	1	2	60

*When a BUNN is machine rated 120/208-240V, 120/208V or 120/240V, the higher voltage is the supply voltage needed to power the machine. The 120V is there to supply power to some components rated 120V in the machine, but it is not the supply voltage and would not power the machine if the machine is marked with the before mentioned ratings.

Plumbing Requirements

PSI	kPa	Fitting Supplied	Water Flow Required (GPM)
-	-	-	-

CAD Drawings

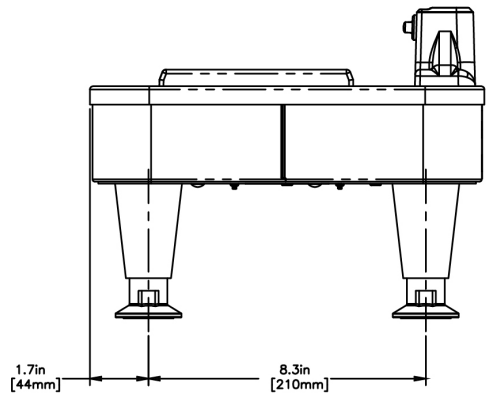
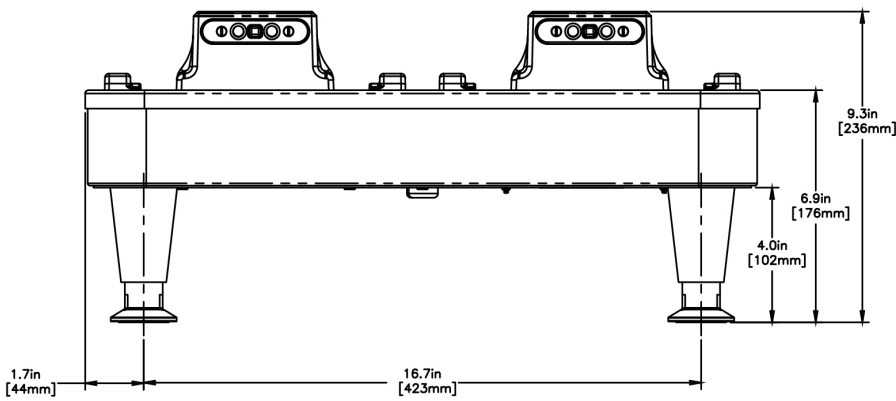
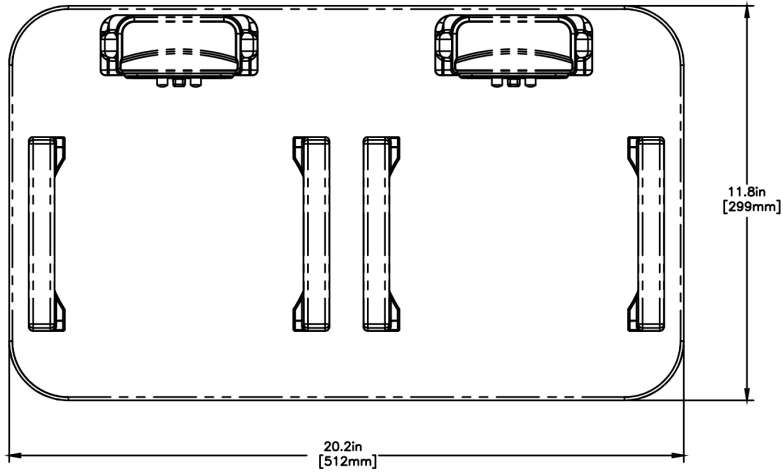
2D	Revit	KLC
●		

WARNING:



BUNN® reserves the right to change specifications and product design without notice. Such revisions do not entitle the buyer to corresponding changes, improvements, additions or replacements for previously purchased equipment. For most current specifications and other info visit bunn.com.

Last Updated:
03/13/2026



	Unit			Shipping				
	Height	Width	Depth	Height	Width	Depth	Weight	Volume
English	9.3 in.	20.2 in.	11.8 in.	12.1 in.	14.4 in.	23.0 in.	22.000 lbs	2.320 ft ³
Metric	23.6 cm	51.3 cm	30.0 cm	30.8 cm	36.5 cm	58.4 cm	9.979 kgs	0.066 m ³



BUNN® reserves the right to change specifications and product design without notice. Such revisions do not entitle the buyer to corresponding changes, improvements, additions or replacements for previously purchased equipment. For most current specifications and other info visit bunn.com.

Last Updated:
03/13/2026

Related Products & Accessories: 2SH Soft Heat® Stand, WiFi(27875.0201)



SH SERVER, 1.5G/5.7L
INF SERIES

Product #: 27850.0200¹



ICB TWIN SH, 120/240V
SST

Product #: 51200.0100¹



ICB TWIN SH, 120/240V
BLK/SST

Product #: 51200.0101¹



KIT, DRIP TRAY INF
TWIN SH

Product #: 53452.0000



KIT, DRIP TRAY SINGLE
SH

Product #: 53452.0001

¹NSF Certified ²NSF Certified with spec sheet model listed ³NSF Certified under Solventum Purification ⁴NSF Certified under Vivreau Ltd ⁵NSF Certified under Zojirushi ⁶NSF Certified under Qins Inc ⁷NSF COMPONENT Certified



BUNN® reserves the right to change specifications and product design without notice. Such revisions do not entitle the buyer to corresponding changes, improvements, additions or replacements for previously purchased equipment. For most current specifications and other info visit bunn.com.

Last Updated:
03/13/2026

Serving & Holding Options: 2SH Soft Heat® Stand, WiFi(27875.0201)

Serving and Holding selections are currently unavailable. Please contact your sales representative to find out more information.

¹NSF Certified ²NSF Certified with spec sheet model listed ³NSF Certified under Solventum Purification ⁴NSF Certified under Vivreau Ltd ⁵NSF Certified under Zojirushi ⁶NSF Certified under Qins Inc ⁷NSF COMPONENT Certified



BUNN® reserves the right to change specifications and product design without notice. Such revisions do not entitle the buyer to corresponding changes, improvements, additions or replacements for previously purchased equipment. For most current specifications and other info visit bunn.com.

Last Updated:
03/13/2026