

BUNN refresh® - Tower Pull & Hold

Height: 28.1" (71.4cm) Width: 20.2" (51.3cm) Depth: 21.3" (54.1cm)



- Provides one pull-and-hold handle for Still water, and one push-and-hold handle for Sparkling water
- Sleek visual design ideal for front-of-the-house settings
- The perfect instrument to incorporate infusions and natural ingredients for crafted beverages
- Fast flow faucet accommodates large cups or carafes up to 12"
- Recirculation loop ensures cold water is constantly circulating for consistent cold drink temperature of 40°F water
- In-line patent-pending water mistifier provides the delicate balance of purified, cold water and "light" carbonation for longer lasting sparkling water and optimal absorption of flavors
- One water filtration system included. Purity achieved with water filtration technology certified to reduce cyst, lead, particulates, chloramines, chlorine taste and odor and 99.99% of common water-borne bacteria* [*As tested with E.Coli ATCC (11229) by manufacturer's laboratory]
- PROP 65 Warning Decal included in packaging with equipment

Agency:



Specifications

Product #: 45900.0100

Water Access: Plumbed

Door: Side Hinge

Dispense: Pull & Hold

Additional Features

Electrical & Capacity

Volts*	Amps	Watts	Cord Attached	Plug Type	8oz cups/hr 236ml cups/hr	Input H ₂ O Temp.	Phase	# Wires plus Ground	Hertz
120	6.0	720	Yes	NEMA 5-15P	-	60°F (15.5°C)	1	2	60

*When a BUNN is machine rated 120/208-240V, 120/208V or 120/240V, the higher voltage is the supply voltage needed to power the machine. The 120V is there to supply power to some components rated 120V in the machine, but it is not the supply voltage and would not power the machine if the machine is marked with the before mentioned ratings.

Plumbing Requirements

PSI	kPa	Fitting Supplied	Water Flow Required (GPM)
30-100	207-689	3/8" Male Flare Fitting	1.40

CAD Drawings

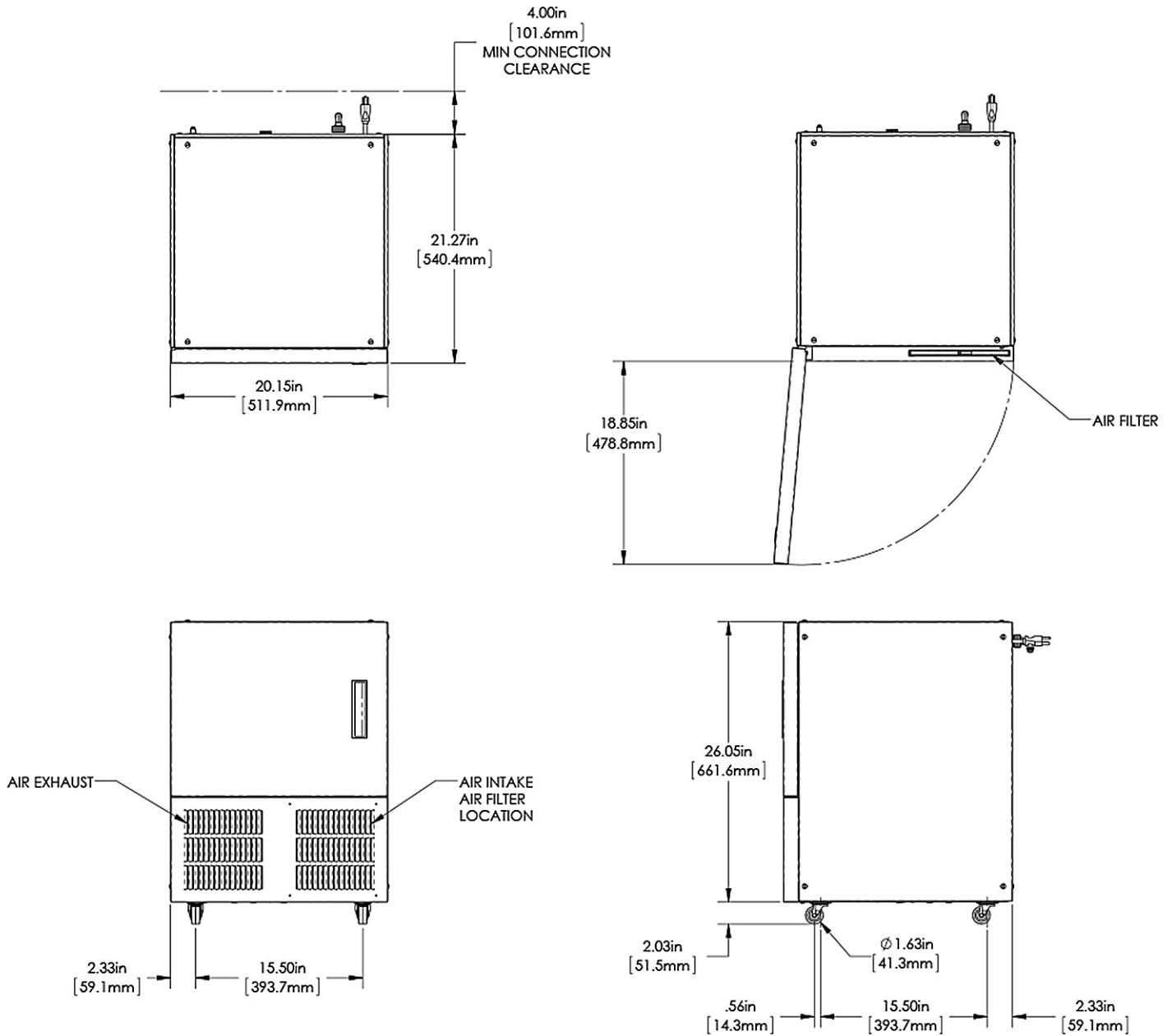
2D	Revit	KLC
●	●	●

WARNING: This product can expose you to chemicals including Bisphenol A (BPA), which is known to the State of California to cause birth defects or other reproductive harm. For more information go to www.P65Warnings.ca.gov



BUNN® reserves the right to change specifications and product design without notice. Such revisions do not entitle the buyer to corresponding changes, improvements, additions or replacements for previously purchased equipment. For most current specifications and other info visit bunn.com.

Last Updated:
01/22/2025

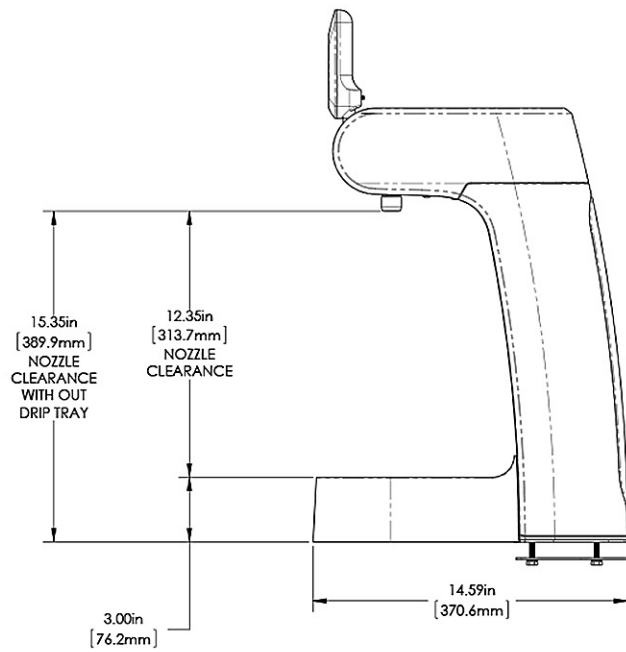
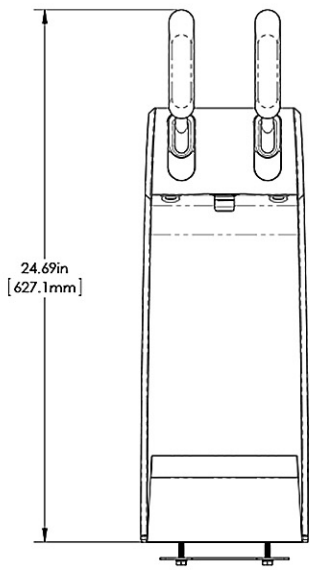
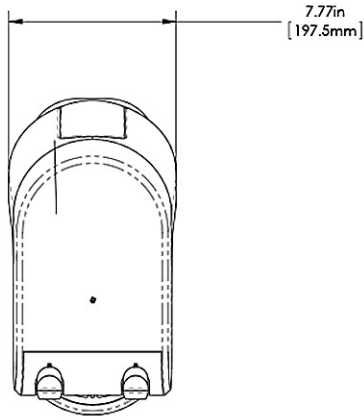


	Unit			Shipping				
	Height	Width	Depth	Height	Width	Depth	Weight	Volume
English	28.1 in.	20.2 in.	21.3 in.	38.0 in.	28.0 in.	28.0 in.	175.000 lbs	17.241 ft ³
Metric	71.4 cm	51.3 cm	54.1 cm	96.5 cm	71.1 cm	71.1 cm	79.380 kgs	0.488 m ³



BUNN® reserves the right to change specifications and product design without notice. Such revisions do not entitle the buyer to corresponding changes, improvements, additions or replacements for previously purchased equipment. For most current specifications and other info visit bunn.com.

Last Updated:
01/22/2025



	Unit			Shipping				
	Width	Height	Depth	Width	Height	Depth	Weight	Volume
English	7.8 in.	24.7 in.	14.6 in.	28.0 in.	38.0 in.	28.0 in.	-	-
Metric	19.8 cm	62.7 cm	37.1 cm	71.1 cm	96.5 cm	71.1 cm	-	-



BUNN® reserves the right to change specifications and product design without notice. Such revisions do not entitle the buyer to corresponding changes, improvements, additions or replacements for previously purchased equipment. For most current specifications and other info visit bunn.com.

Last Updated:
01/22/2025

Related Products & Accessories: BUNN refresh® - Tower Pull & Hold(45900.0100)



WATER FILTER,
EQHP-5C

Product #: 39000.0014

KIT, FOOT PLATE

Product #: 47775.1000



KIT, EASTERN DARK
WALNUT PETAL INSERT

Product #: 51805.1001



KIT, BROWN WOOD
GRAIN PETAL INSERT

Product #: 51805.1002



KIT, EASTERN WHITE
CEDAR PETAL INSERT

Product #: 51805.1003



KIT, CO2 TWIN 20 LB
TANK RACK W/
REGULATOR

Product #: 52367.1000



KIT, PRIMARY CO2
REGULATOR

Product #: 52820.0000



SYSTEM, WQ-40(3).2C

Product #: 56000.0014



SYSTEM, WEQ-18(2).2C

Product #: 56000.0036



CARTRIDGE, WQ-60
(3.5).2C

Product #: 56000.0114



CARTRIDGE, WEQ-18
(2).2C

Product #: 56000.0128

Serving & Holding Options: BUNN refresh® - Tower Pull & Hold(45900.0100)

Serving and Holding selections are currently unavailable. Please contact your sales representative to find out more information.



BUNN® reserves the right to change specifications and product design without notice. Such revisions do not entitle the buyer to corresponding changes, improvements, additions or replacements for previously purchased equipment. For most current specifications and other info visit bunn.com.

Last Updated:
01/22/2025