

# LPGA, IPX1 CE 220-240V SST-ME

Height: 15.1" (38.4cm) Width: 8.6" (21.8cm) Depth: 10.0" (25.4cm)



- Large, clear bean hopper merchandises 6 lb (2.72kg) of fresh regular, decaf or specialty coffee beans
- Easy access on back for grind weight adjustment
- Four year warranty on grinding burrs
- Just 8.64" (21.95cm) wide and a low profile height of 15.1" (38.4cm)
- Powered by quiet, high torque motor
- Professional grind provided by large 3.19" (8.1cm) diameter burrs powered by quiet, low speed, high torque motor
- KSA Registration
- KUCAS Report

Agency:

KUCAS

## Specifications

**Product #:** 20580.0133

**Finish:** Stainless

**Hoppers:** One

**Hopper Capacity:** 6.00 lbs (2.722 kgs)

## Electrical & Capacity

Volts*	Amps	Watts	Cord Attached	Plug Type	8oz cups/hr 236ml cups/hr	Input H <sub>2</sub> O Temp.	Phase	# Wires plus Ground	Hertz
220-240	1.5	330-360	Yes	UK 13A	-	60°F (15.5°C)	1	2	50-60

\*When a BUNN is machine rated 120/208-240V, 120/208V or 120/240V, the higher voltage is the supply voltage needed to power the machine. The 120V is there to supply power to some components rated 120V in the machine, but it is not the supply voltage and would not power the machine if the machine is marked with the before mentioned ratings.

## Additional Features

## Plumbing Requirements

PSI	kPa	Fitting Supplied	Water Flow Required (GPM)
-	-	-	-

**WARNING:**

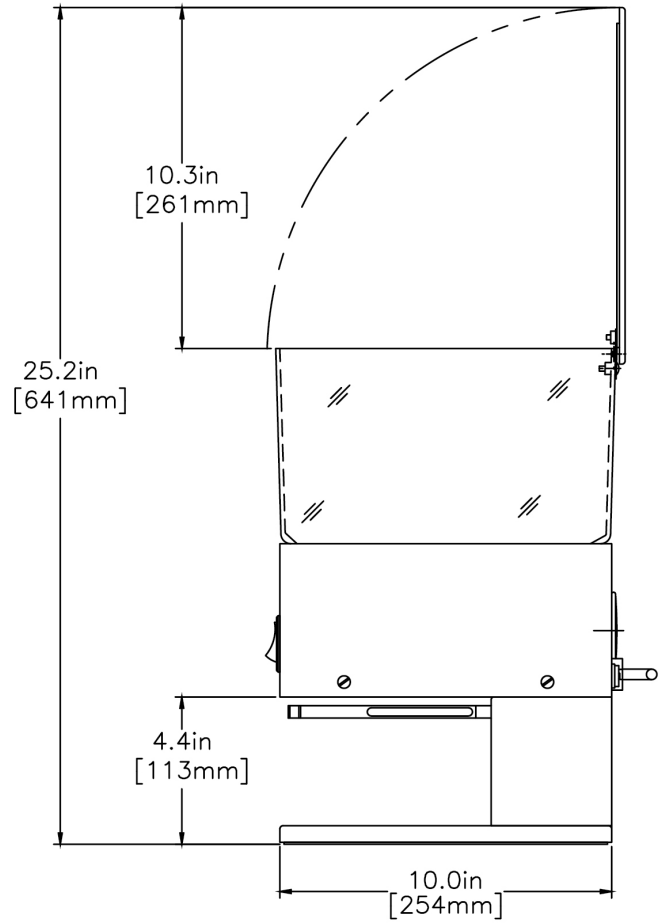
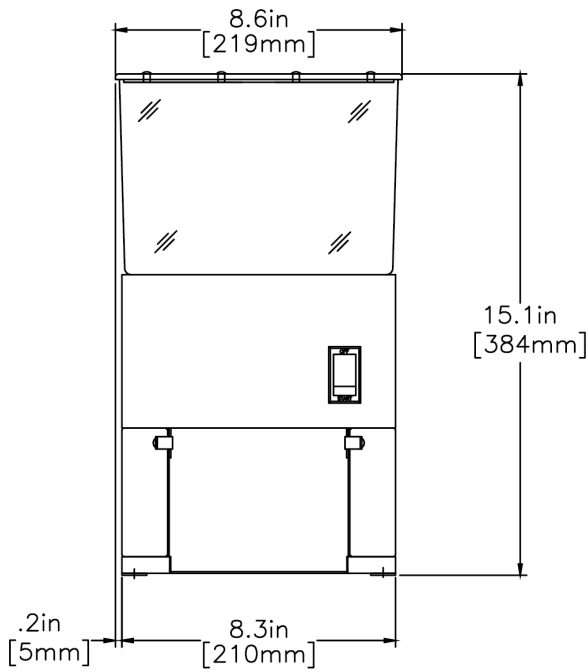
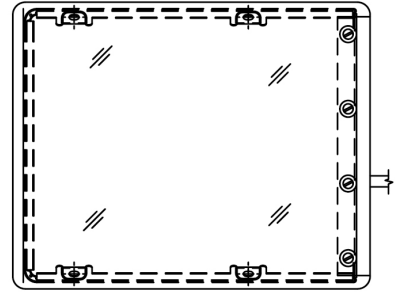
## CAD Drawings

2D	Revit	KLC
●		



BUNN® reserves the right to change specifications and product design without notice. Such revisions do not entitle the buyer to corresponding changes, improvements, additions or replacements for previously purchased equipment. For most current specifications and other info visit [bunn.com](http://bunn.com).

Last Updated:  
08/15/2024



	Unit			Shipping				
	Height	Width	Depth	Height	Width	Depth	Weight	Volume
English	15.1 in.	8.6 in.	10.0 in.	23.8 in.	12.9 in.	15.0 in.	23.000 lbs	2.654 ft <sup>3</sup>
Metric	38.4 cm	21.8 cm	25.4 cm	60.3 cm	32.7 cm	38.1 cm	10.433 kgs	0.075 m <sup>3</sup>



BUNN® reserves the right to change specifications and product design without notice. Such revisions do not entitle the buyer to corresponding changes, improvements, additions or replacements for previously purchased equipment. For most current specifications and other info visit [bunn.com](http://bunn.com).

Last Updated:  
08/15/2024

Related Products & Accessories:LPGA, IPX1 CE 220-240V SST-ME(20580.0133)

KIT, FINE GRIND  
DECHAFFER

Product #: 43724.0000



BUNN® reserves the right to change specifications and product design without notice. Such revisions do not entitle the buyer to corresponding changes, improvements, additions or replacements for previously purchased equipment. For most current specifications and other info visit [bunn.com](http://bunn.com).

Last Updated:  
08/15/2024

# Serving & Holding Options: LPGA, IPX1 CE 220-240V SST-ME(20580.0133)

\*Serving and Holding selections are currently unavailable. Please contact your sales representative to find out more information.\*



BUNN® reserves the right to change specifications and product design without notice. Such revisions do not entitle the buyer to corresponding changes, improvements, additions or replacements for previously purchased equipment. For most current specifications and other info visit [bunn.com](http://bunn.com).

Last Updated:  
08/15/2024