

# CWTF35A-3 (2U/1L Warmer)

Height: 18.9" Width: 8.4" Depth: 21.4"  
(48.0cm) (21.3cm) (54.4cm)



- All stainless steel construction
- Hot water faucet (requires active plumbing connection)
- Pourover feature
- SplashGard® funnel deflects hot liquids away from the hand
- KSA Registration
- KUCAS Report
- Servers not included unless otherwise noted

Server(s) sold separately

Agency:

KSA KUCAS

## Specifications

**Product #:** 12950.0450

**Faucet:** Upper

**Water Access:** Plumbed

**Warmers:** Two Upper/ One Lower

**Finish:** Stainless

**Funnel:** Black Plastic

## Additional Features

Pourover Option

## Electrical & Capacity

Volts*	Amps	Watts	Cord Attached	Plug Type	8oz cups/hr 236ml cups/hr	Input H <sub>2</sub> O Temp.	Phase	# Wires plus Ground	Hertz
220-240	14.5-15.8	3200-3800	No	-	109	60°F (15.5°C)	1	2	50-60

\*When a BUNN is machine rated 120/208-240V, 120/208V or 120/240V, the higher voltage is the supply voltage needed to power the machine. The 120V is there to supply power to some components rated 120V in the machine, but it is not the supply voltage and would not power the machine if the machine is marked with the before mentioned ratings.

## Plumbing Requirements

PSI	kPa	Fitting Supplied	Water Flow Required (GPM)
20-90	138-621	1/4" Male Flare Fitting	-

## CAD Drawings

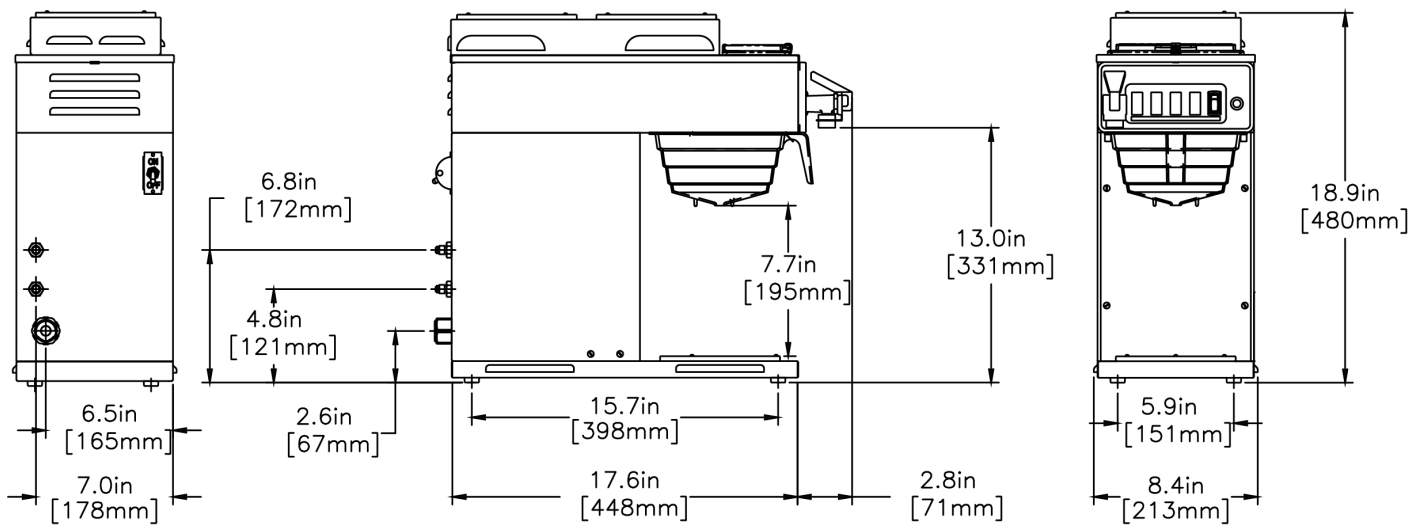
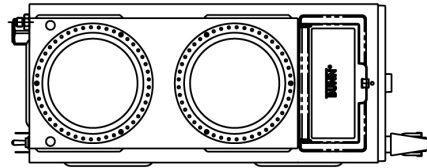
2D	Revit	KLC
●		

**WARNING:**



BUNN® reserves the right to change specifications and product design without notice. Such revisions do not entitle the buyer to corresponding changes, improvements, additions or replacements for previously purchased equipment. For most current specifications and other info visit [bunn.com](http://bunn.com).

Last Updated:  
07/08/2025



	Unit			Shipping				
	Height	Width	Depth	Height	Width	Depth	Weight	Volume
English	18.9 in.	8.4 in.	21.4 in.	23.8 in.	12.5 in.	26.5 in.	33.600 lbs	4.566 ft <sup>3</sup>
Metric	48.0 cm	21.3 cm	54.4 cm	60.3 cm	31.8 cm	67.4 cm	15.241 kgs	0.129 m <sup>3</sup>





BUNN® reserves the right to change specifications and product design without notice. Such revisions do not entitle the buyer to corresponding changes, improvements, additions or replacements for previously purchased equipment. For most current specifications and other info visit [bunn.com](http://bunn.com).

Last Updated:  
07/08/2025

# Related Products & Accessories: CWTF35A-3 (2U/1L Warmer)(12950.0450)

 <p>FUNNEL W/DECAL, PPK NAR BLK (SM)</p> <hr/> <p>Product #: 02774.0011<sup>2</sup></p>	 <p>FUNNEL W/DECAL, PPK NAR BLK (LG)</p> <hr/> <p>Product #: 04274.0012<sup>2</sup></p>	 <p>FILTERS, REGULAR 1M 500/2 50/CL</p> <hr/> <p>Product #: 20115.0000</p>	 <p>FUNNEL ASSY, SST-BLK HDL (7.12)</p> <hr/> <p>Product #: 20216.0000<sup>2</sup></p>	 <p>FUNNEL W/DECALS, BLACK PLASTIC</p> <hr/> <p>Product #: 20583.0003<sup>2</sup></p>
--	--	---	---	--

 <p>FUNNEL ASSY, SST-PP BLK HDL</p> <hr/> <p>Product #: 29151.0000<sup>2</sup></p>	 <p>FUNNEL ASSY, SST-PP ORANGE HDL</p> <hr/> <p>Product #: 29151.0001<sup>2</sup></p>	 <p>WATER FILTER SYSTEM, EQ-17-TL</p> <hr/> <p>Product #: 30200.1000<sup>3</sup></p>	 <p>WATER FILTER, IN LINE ED-17-TL</p> <hr/> <p>Product #: 30201.1001<sup>3</sup></p>	 <p>SYSTEM, WEQ-10 (1.5) 5L</p> <hr/> <p>Product #: 56000.0024<sup>1</sup></p>
---	--	---	--	---

 <p>CARTRIDGE, WEQ-10 (1.5) 5L</p> <hr/> <p>Product #: 56000.0121<sup>1</sup></p>	 <p>CARTRIDGE, WEQ-10.3 (1.67) 5L</p> <hr/> <p>Product #: 56000.0137<sup>1</sup></p>
--	---

<sup>1</sup>NSF Certified <sup>2</sup>NSF Certified with spec sheet model listed <sup>3</sup>NSF Certified under Solventum Purification <sup>4</sup>NSF Certified under Mavea LLC <sup>5</sup>NSF Certified under Zojirushi <sup>6</sup>NSF Certified under Qins Inc <sup>7</sup>NSF COMPONENT Certified



BUNN® reserves the right to change specifications and product design without notice. Such revisions do not entitle the buyer to corresponding changes, improvements, additions or replacements for previously purchased equipment. For most current specifications and other info visit [bunn.com](http://bunn.com).

Last Updated:  
07/08/2025

# Serving & Holding Options: CWTF35A-3 (2U/1L Warmer)(12950.0450)

				
EASY POUR®,(BLK) 1/CS Product #: 06100.0101	EASY POUR®,(BLK) 2/CS Product #: 06100.0102	EASY POUR®,(BLK) 3/CS Product #: 06100.0103	EASY POUR®,(BLK) 6/CS Product #: 06100.0106	EASY POUR®,(BLK) 12/CS Product #: 06100.0112

				
EASY POUR®,(BLK) 24/CS Product #: 06100.0124	EASY POUR®,(ORN) 1/CS Product #: 06101.0101	EASY POUR®,(ORN) 2/CS Product #: 06101.0102	EASY POUR®,(ORN) 3/CS Product #: 06101.0103	EASY POUR®,(ORN) 24/CS Product #: 06101.0124

				
DECANTER, GLASS-BLK 12C 24/CS Product #: 42400.0024	DECANTER, GLASS-BLK 12CUP 1PK Product #: 42400.0101	DECANTER, GLASS-BLK 12C 3/CS Product #: 42400.0103	DECANTER, GLASS-ORN 12C 24/CS Product #: 42401.0024	DECANTER, GLASS-ORN 12 CUP 1PK Product #: 42401.0101

<sup>1</sup>NSF Certified <sup>2</sup>NSF Certified with spec sheet model listed <sup>3</sup>NSF Certified under Solventum Purification <sup>4</sup>NSF Certified under Mavea LLC <sup>5</sup>NSF Certified under Zojirushi <sup>6</sup>NSF Certified under Qins Inc <sup>7</sup>NSF COMPONENT Certified



BUNN® reserves the right to change specifications and product design without notice. Such revisions do not entitle the buyer to corresponding changes, improvements, additions or replacements for previously purchased equipment. For most current specifications and other info visit [bunn.com](http://bunn.com).

Last Updated:  
07/08/2025

## Serving & Holding Options: CWTF35A-3 (2U/1LWarmer)(12950.0450)



DECANTER, GLASS-ORN  
12C 3/CS

Product #: 42401.0103



BUNN® reserves the right to change specifications and product design without notice. Such revisions do not entitle the buyer to corresponding changes, improvements, additions or replacements for previously purchased equipment. For most current specifications and other info visit [bunn.com](http://bunn.com).

Last Updated:  
07/08/2025