

Ultra-2 HP Manual Fill Coastal Ext Hdl

Height: 31.9" Width: 16.0" Depth: 24.5"
(81.0cm) (40.6cm) (62.2cm)



- Patented beverage monitoring technology and reversing auger design ensure consistent, great tasting frozen beverages
- Two large product hoppers hold 3 gallons (11.4L) each to maximize serving capacity
- User interface communicates need for cleaning and maintenance, and provides simple programming, cleaning and preventive maintenance guides to ensure reliable operation and performance – minimizing down time and maximizing serving capacity and profits
- Constructed with corrosion resistant materials for coastal applications
- LED lighted merchandisers in hopper lids bring high visibility to front- of-house applications
- Extended Dispense Handle
- Sanitation listings NSF 18 and NSF 6 (Dairy)

Agency:



Specifications

Product #: 34000.0571

Autofill: None

Water Access: Not Plumbed

Finish: Stainless/White

Hoppers: Two

Refrigerant: R404A

Handle: Extended Handle

Legs: 4" Black Legs

Additional Features

Electrical & Capacity

| Volts* | Amps | Watts | Cord Attached | Plug Type | 8oz cups/hr 236ml cups/hr | Input H ² O Temp. | Phase | # Wires plus Ground | Hertz |
|--------|------|-------|---------------|-----------|------------------------------|---------------------------------|-------|------------------------|-------|
| 120 | 12 | 1440 | - | - | - | 60°F (15.5°C) | 1 | 2 | 50/60 |

*When a BUNN is machine rated 120/208-240V, 120/208V or 120/240V, the higher voltage is the supply voltage needed to power the machine. The 120V is there to supply power to some components rated 120V in the machine, but it is not the supply voltage and would not power the machine if the machine is marked with the before mentioned ratings.

Plumbing Requirements

| PSI | kPa | Fitting Supplied | Water Flow Required (GPM) |
|-----|-----|------------------|---------------------------|
| - | - | - | - |

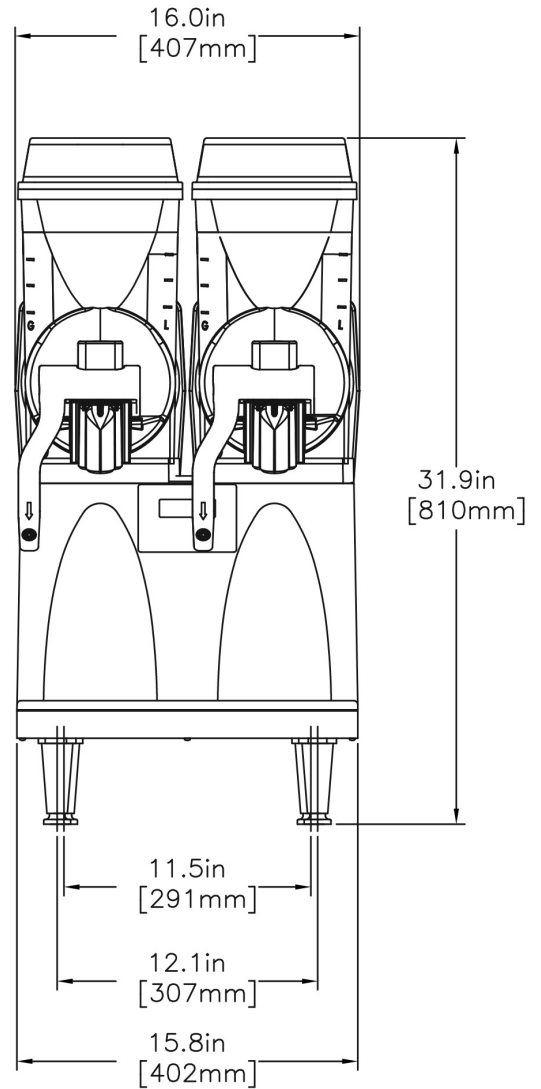
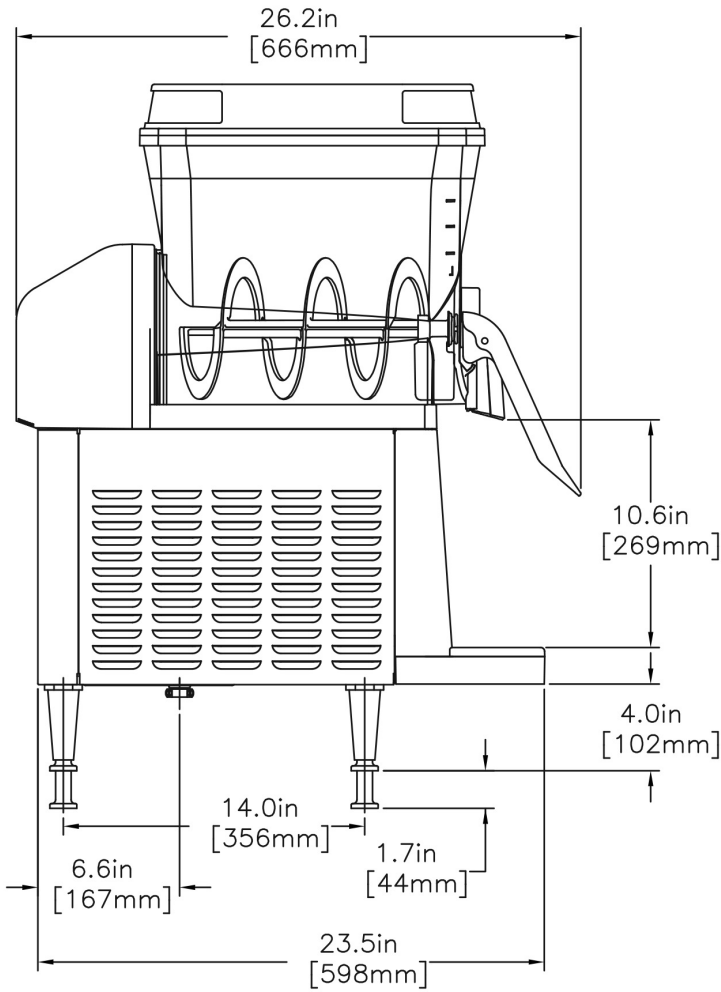
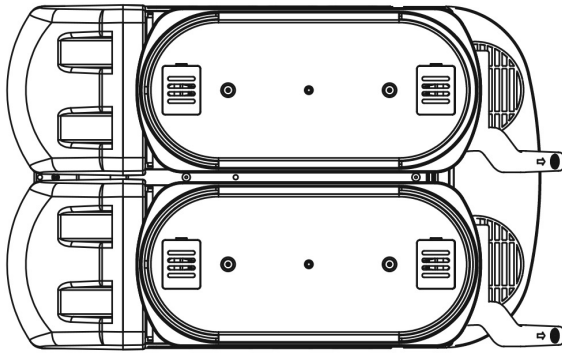
CAD Drawings

| 2D | Revit | KLC |
|----|-------|-----|
| ● | | |



BUNN® reserves the right to change specifications and product design without notice. Such revisions do not entitle the buyer to corresponding changes, improvements, additions or replacements for previously purchased equipment. For most current specifications and other info visit bunn.com.

Last Updated:
02/20/2020



| | Unit | | | Shipping | | | | |
|---------|----------|----------|----------|----------|----------|----------|-------------|-----------------------|
| | Height | Width | Depth | Height | Width | Depth | Weight | Volume |
| English | 31.9 in. | 16.0 in. | 24.5 in. | 28.7 in. | 19.1 in. | 24.6 in. | 138.450 lbs | 7.819 ft ³ |
| Metric | 81.0 cm | 40.6 cm | 62.2 cm | 72.9 cm | 48.6 cm | 62.5 cm | 62.801 kgs | 0.221 m ³ |



BUNN® reserves the right to change specifications and product design without notice. Such revisions do not entitle the buyer to corresponding changes, improvements, additions or replacements for previously purchased equipment. For most current specifications and other info visit bunn.com.

Last Updated:
02/20/2020

Related Products & Accessories: Ultra-2 HP Manual Fill Coastal Ext Hdl(34000.0571)



DRIP TRAY ASSY,
LOWER-BLK

Product #: 28086.0001

COVER, DRIP TRAY
ULTRA 2 BLK

Product #: 32068.0001



BUNN® reserves the right to change specifications and product design without notice. Such revisions do not entitle the buyer to corresponding changes, improvements, additions or replacements for previously purchased equipment. For most current specifications and other info visit bunn.com.

Last Updated:
02/20/2020

Serving & Holding Options: Ultra-2 HP Manual Fill Coastal Ext Hdl(34000.0571)

Serving and Holding selections are currently unavailable. Please contact your sales representative to find out more information.



BUNN® reserves the right to change specifications and product design without notice. Such revisions do not entitle the buyer to corresponding changes, improvements, additions or replacements for previously purchased equipment. For most current specifications and other info visit bunn.com.

Last Updated:
02/20/2020