

# FMD-1 Black

Height: 30.0" Width: 7.9" Depth: 21.0"  
(76.2cm) (20.1cm) (53.3cm)

- Adjustable legs and drip tray allows up to 7" (17.8cm) opening for 20oz cups
- Designed to be easily serviced from front and top of machine
- Improved automatic rinsing of whipper reduces run-on after beverage is dispensed
- Large easy-to-fill translucent hopper holds 8lb (3.6kg) of product, ensuring quick and timely refilling
- Lighted graphics merchandise drinks for maximizing profits
- Space saving narrow 8" (20.3cm) cabinet width
- Specially designed mixing system guarantees perfect beverages every time
- Variable speed motors allow control of product consistency in mixing chamber (.75 to 6.6 grams of powder per second)

Agency:



## Specifications

**Product #:** SET00.0196  
**Water Access:** Plumbed  
**Finish:** Black  
**Hoppers:** One  
**Door:** Lit  
**Door:** Side Hinge  
**Dispense:** Push Button

## Additional Features

## Electrical & Capacity

Volts*	Amps	Watts	Cord Attached	Plug Type	8oz cups/hr 236ml cups/hr	Input H <sub>2</sub> O Temp.	Phase	# Wires plus Ground	Hertz
120	15	1800	Yes	NEMA 5-15P	67	60°F (15.5°C)	1	2	60

\*When a BUNN is machine rated 120/208-240V, 120/208V or 120/240V, the higher voltage is the supply voltage needed to power the machine. The 120V is there to supply power to some components rated 120V in the machine, but it is not the supply voltage and would not power the machine if the machine is marked with the before mentioned ratings.

## Plumbing Requirements

PSI	kPa	Fitting Supplied	Water Flow Required (GPM)
20-90	138-621	1/4" Male Flare Fitting	-

## CAD Drawings

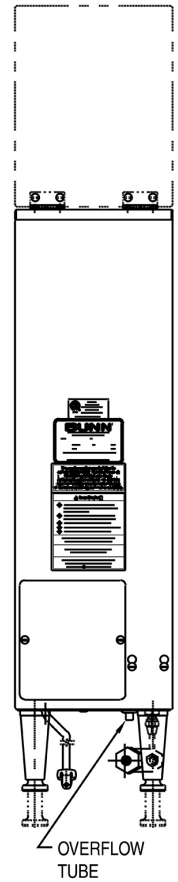
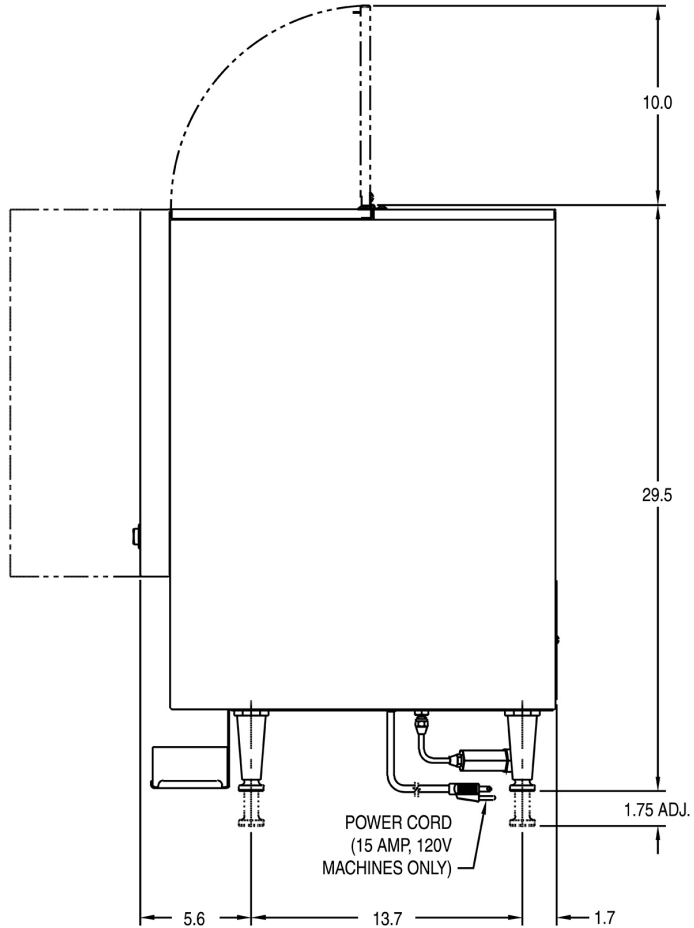
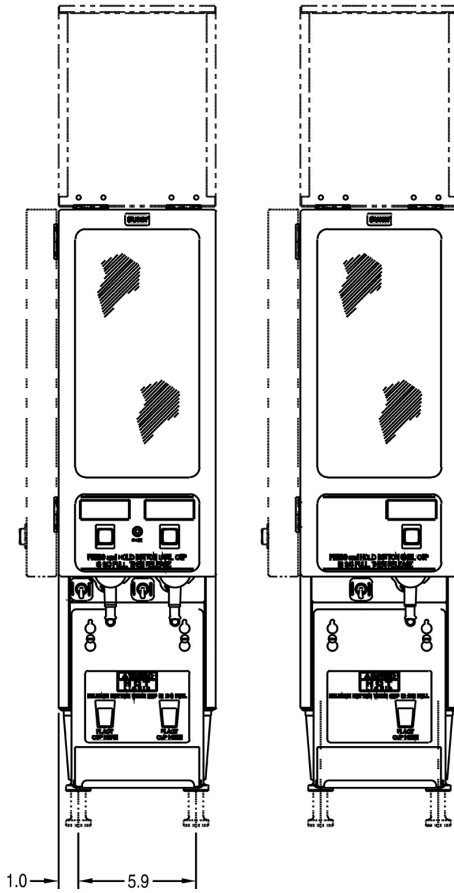
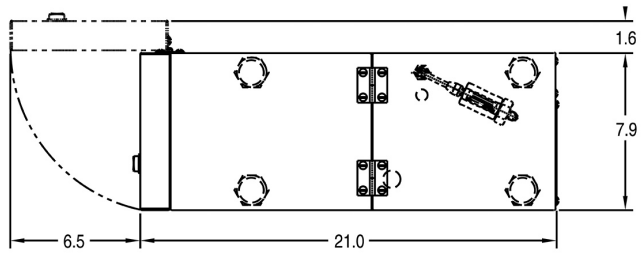
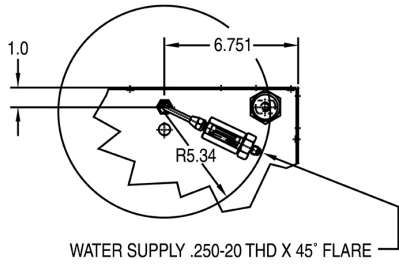
2D	Revit	KLC
●		

**WARNING:** This product can expose you to chemicals including Bisphenol A (BPA), which is known to the State of California to cause birth defects or other reproductive harm. For more information go to [www.P65Warnings.ca.gov](http://www.P65Warnings.ca.gov)



BUNN® reserves the right to change specifications and product design without notice. Such revisions do not entitle the buyer to corresponding changes, improvements, additions or replacements for previously purchased equipment. For most current specifications and other info visit [bunn.com](http://bunn.com).

Last Updated:  
07/08/2025



	Unit			Shipping				
	Height	Width	Depth	Height	Width	Depth	Weight	Volume
English	30.0 in.	7.9 in.	21.0 in.	-	-	-	64.960 lbs	-
Metric	76.2 cm	20.1 cm	53.3 cm	-	-	-	29.466 kgs	-



BUNN® reserves the right to change specifications and product design without notice. Such revisions do not entitle the buyer to corresponding changes, improvements, additions or replacements for previously purchased equipment. For most current specifications and other info visit [bunn.com](http://bunn.com).

Last Updated:  
07/08/2025

# Related Products & Accessories:FMD-1 Black(SET00.0196)



WATER FILTER,  
EQHP-10L

Product #: 39000.0001<sup>3</sup>



WATER FILTER,  
EQHP-10

Product #: 39000.0004<sup>3</sup>



SYSTEM, WQ-55(2)5L

Product #: 56000.0001<sup>1</sup>



SYSTEM, WQ-55(2)5

Product #: 56000.0004<sup>1</sup>



SYSTEM, WEQ-10(1.5)5L

Product #: 56000.0024<sup>1</sup>



SYSTEM, WEQ-10(1.5)5

Product #: 56000.0027<sup>1</sup>



CARTRIDGE, WQ-55(2)5L

Product #: 56000.0101<sup>1</sup>



CARTRIDGE, WQ-55(2)5

Product #: 56000.0104<sup>1</sup>



CARTRIDGE, WEQ-10  
(1.5)5L

Product #: 56000.0121<sup>1</sup>



CARTRIDGE, WEQ-10  
(1.5)5

Product #: 56000.0122<sup>1</sup>

<sup>1</sup>NSF Certified <sup>2</sup>NSF Certified with spec sheet model listed <sup>3</sup>NSF Certified under Solventum Purification <sup>4</sup>NSF Certified under Mavea LLC <sup>5</sup>NSF Certified under Zojirushi <sup>6</sup>NSF Certified under Qins Inc <sup>7</sup>NSF COMPONENT Certified



BUNN® reserves the right to change specifications and product design without notice. Such revisions do not entitle the buyer to corresponding changes, improvements, additions or replacements for previously purchased equipment. For most current specifications and other info visit [bunn.com](http://bunn.com).

Last Updated:  
07/08/2025

# Serving & Holding Options: FMD-1 Black(SET00.0196)

\*Serving and Holding selections are currently unavailable. Please contact your sales representative to find out more information.\*

---

<sup>1</sup>NSF Certified <sup>2</sup>NSF Certified with spec sheet model listed <sup>3</sup>NSF Certified under Solventum Purification <sup>4</sup>NSF Certified under Mavea LLC <sup>5</sup>NSF Certified under Zojirushi <sup>6</sup>NSF Certified under Qins Inc <sup>7</sup>NSF COMPONENT Certified



BUNN® reserves the right to change specifications and product design without notice. Such revisions do not entitle the buyer to corresponding changes, improvements, additions or replacements for previously purchased equipment. For most current specifications and other info visit [bunn.com](http://bunn.com).

Last Updated:  
07/08/2025