

# iMIX®-3S OATMEAL

Height: 33.6" Width: 12.6" Depth: 23.0"  
(85.3cm) (32.0cm) (58.4cm)

NO IMAGE  
AVAILABLE

- 4.3gal (16.3L) hot water tank to meet peak serving times
- Adjustable drip tray
- Front of machine access to tank drain, dump valves, auger motors and control board for easy service, set up and calibration
- Push and hold dispense
- Hot water dispense button allows customers to adjust oatmeal thickness to their preference
- Key service components easily accessible through front, top and easily removable side panels
- Serves three instant oatmeals
- High efficiency LED lighted front graphics for merchandising
- Spring-loaded, all metal auger drive system for easy hopper installation
- Top-hinged design minimizes machine footprint

Agency:

## Specifications

**Product #:** 38600.6054

**Water Access:** Plumbed

**Finish:** Black

**Hoppers:** Three

**Door:** Lit

**Door:** Top Hinge

**Dispense:** Push Button

## Additional Features

## Electrical & Capacity

Volts*	Amps	Watts	Cord Attached	Plug Type	8oz cups/hr 236ml cups/hr	Input H <sub>2</sub> O Temp.	Phase	# Wires plus Ground	Hertz
-	-	-	-	-	72	60°F (15.5°C)	-	-	-

\*When a BUNN is machine rated 120/208-240V, 120/208V or 120/240V, the higher voltage is the supply voltage needed to power the machine. The 120V is there to supply power to some components rated 120V in the machine, but it is not the supply voltage and would not power the machine if the machine is marked with the before mentioned ratings.

## Plumbing Requirements

PSI	kPa	Fitting Supplied	Water Flow Required (GPM)
20-100	138-689	1/4" Male Flare Fitting	-

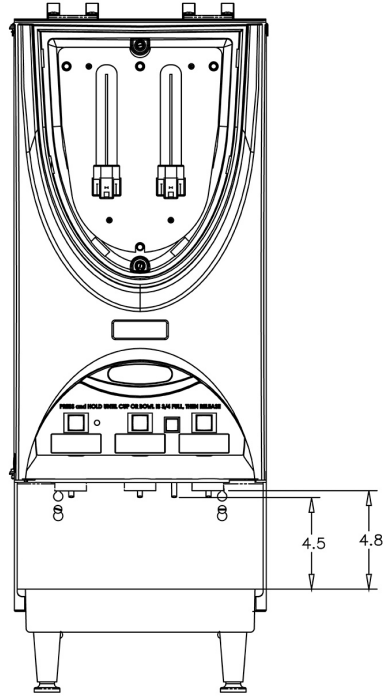
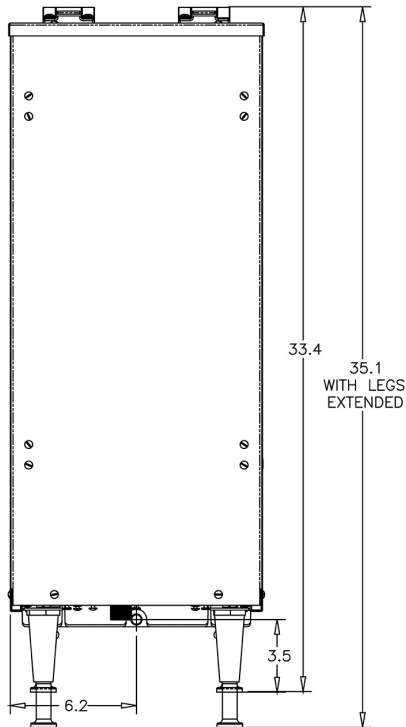
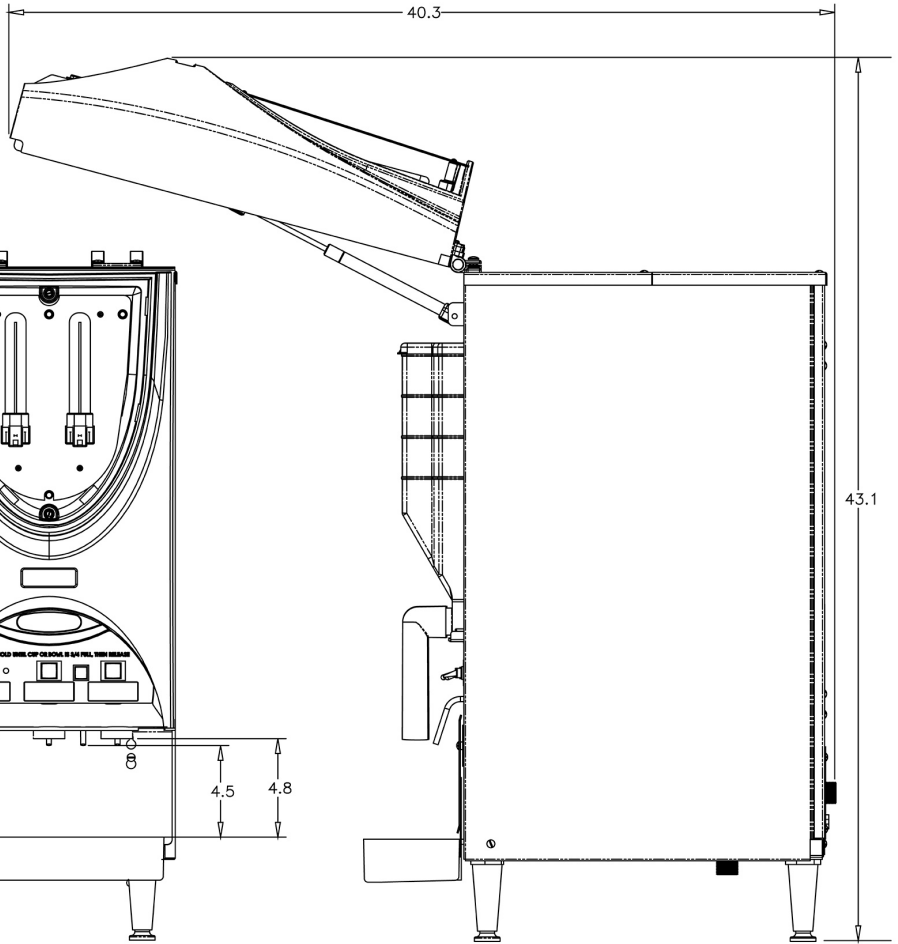
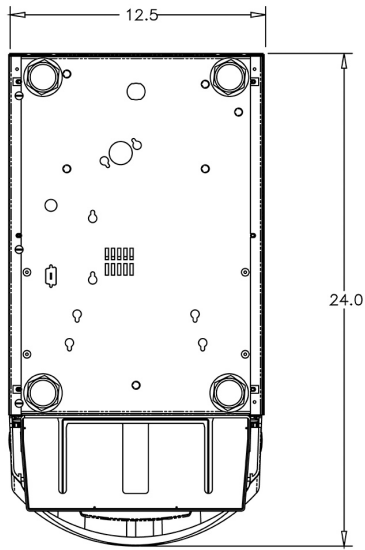
## CAD Drawings

2D	Revit	KLC
●		



BUNN® reserves the right to change specifications and product design without notice. Such revisions do not entitle the buyer to corresponding changes, improvements, additions or replacements for previously purchased equipment. For most current specifications and other info visit [bunn.com](http://bunn.com).

Last Updated:  
05/03/2021



Unit			Shipping					
	Height	Width	Depth	Height	Width	Depth	Weight	Volume
English	33.6 in.	12.6 in.	23.0 in.	41.7 in.	17.1 in.	29.5 in.	-	12.144 ft <sup>3</sup>
Metric	85.3 cm	32.0 cm	58.4 cm	105.9 cm	43.3 cm	74.9 cm	-	0.344 m <sup>3</sup>



BUNN® reserves the right to change specifications and product design without notice. Such revisions do not entitle the buyer to corresponding changes, improvements, additions or replacements for previously purchased equipment. For most current specifications and other info visit [bunn.com](http://bunn.com).

Last Updated:  
05/03/2021

## Related Products & Accessories:iMIX®-3S OATMEAL(38600.6054)

\*Related Products selections are currently unavailable. Please contact your sales representative to find out more information.\*



BUNN® reserves the right to change specifications and product design without notice. Such revisions do not entitle the buyer to corresponding changes, improvements, additions or replacements for previously purchased equipment. For most current specifications and other info visit [bunn.com](http://bunn.com).

Last Updated:  
05/03/2021

## Serving & Holding Options: iMIX®-3S OATMEAL(38600.6054)

\*Serving and Holding selections are currently unavailable. Please contact your sales representative to find out more information.\*



BUNN® reserves the right to change specifications and product design without notice. Such revisions do not entitle the buyer to corresponding changes, improvements, additions or replacements for previously purchased equipment. For most current specifications and other info visit [bunn.com](http://bunn.com).

Last Updated:  
05/03/2021