

iMIX®-5 Black

Height: 32.8" Width: 19.3" Depth: 24.0"
(83.3cm) (49.0cm) (61.0cm)



- 7gal (26.5L) hot water tank to meet peak serving times
- Alphanumeric display communicates advertising messages, machine status and technical support contact information
- Auger motors with RPM feedback monitoring assure consistent flavors and profits by controlling powder dosing
- Capacity: Five 8lb (3.6kg) hoppers
- Cup clearance at 7.25" (18.4cm) to accommodate popular cup sizes [adjustable to 8.12" (20.6cm)]
- Front of machine access to tank drain, dump valves, auger and whipper motors and control board for easy service set up and calibration
- High speed heavy-duty whipper for complete product mixing
- Low product detection system alerts audibly and with message on display when hoppers are low
- High efficiency LED lighted front graphics for merchandising
- Spring-loaded, all metal auger drive system for easy hopper installation

Agency:



Specifications

Product #: 37000.0000

Door: Side Hinge

Water Access: Plumbed

Dispense: Push Button

Finish: Black

Hoppers: Five

Additional Features

Hot Water Button

Electrical & Capacity

Volts*	Amps	Watts	Cord Attached	Plug Type	8oz cups/hr 236ml cups/hr	Input H ₂ O Temp.	Phase	# Wires plus Ground	Hertz
120	15	1800	Yes	NEMA 5-15P	72	60°F (15.5°C)	1	2	60

*When a BUNN is machine rated 120/208-240V, 120/208V or 120/240V, the higher voltage is the supply voltage needed to power the machine. The 120V is there to supply power to some components rated 120V in the machine, but it is not the supply voltage and would not power the machine if the machine is marked with the before mentioned ratings.

Plumbing Requirements

PSI	kPa	Fitting Supplied	Water Flow Required (GPM)
20-100	138-689	1/4" Male Flare Fitting	-

CAD Drawings

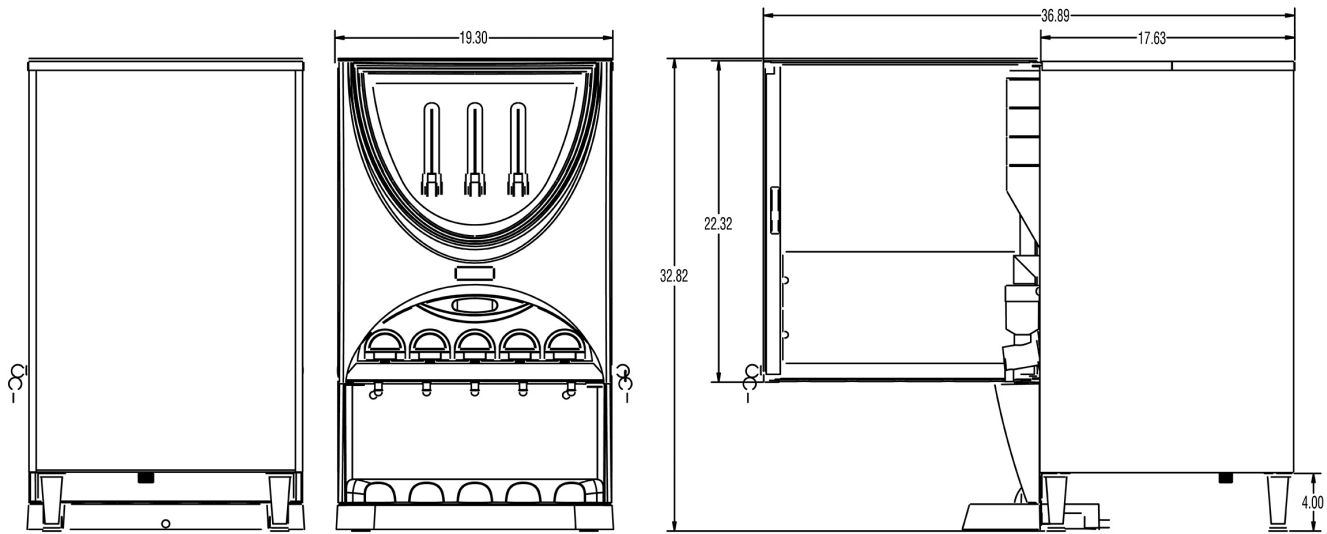
2D	Revit	KLC
●	●	●

WARNING:

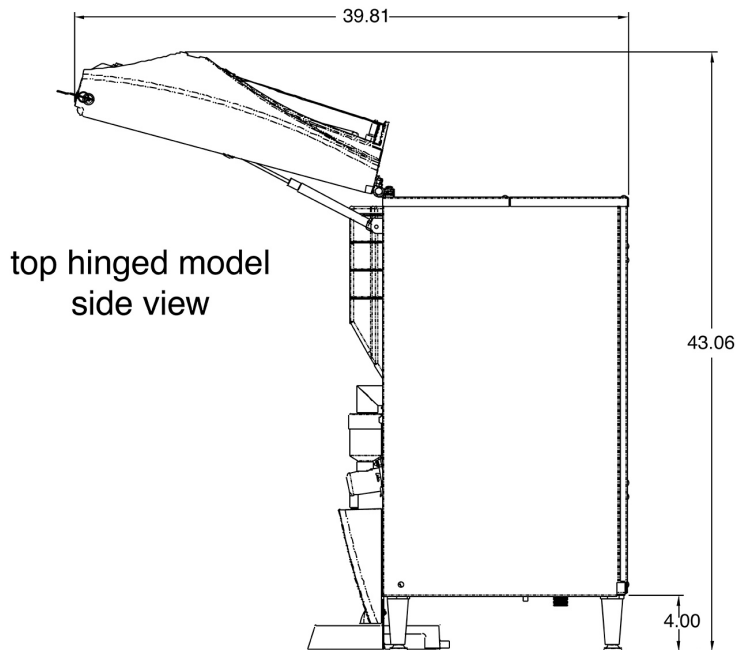


BUNN® reserves the right to change specifications and product design without notice. Such revisions do not entitle the buyer to corresponding changes, improvements, additions or replacements for previously purchased equipment. For most current specifications and other info visit bunn.com.

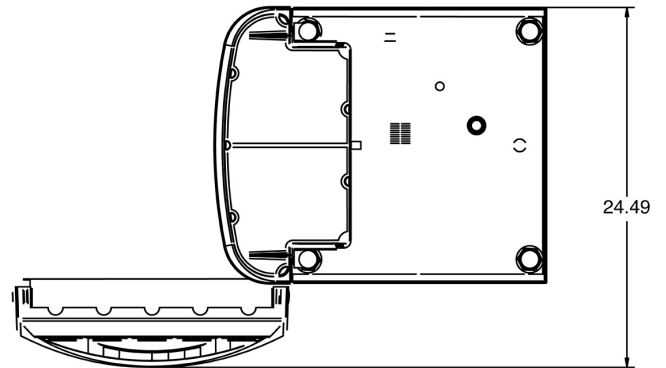
Last Updated:
09/23/2025



side hinged model
side views



top hinged model
side view



	Unit			Shipping				
	Height	Width	Depth	Height	Width	Depth	Weight	Volume
English	32.8 in.	19.3 in.	24.0 in.	-	-	-	134.400 lbs	-
Metric	83.3 cm	49.0 cm	61.0 cm	-	-	-	60.964 kgs	-









BUNN® reserves the right to change specifications and product design without notice. Such revisions do not entitle the buyer to corresponding changes, improvements, additions or replacements for previously purchased equipment. For most current specifications and other info visit bunn.com.

Last Updated:
09/23/2025

Related Products & Accessories:iMIX®-5 Black(37000.0000)

 <p>DISPLAY, GRAPHICS (iMIX-4/5)</p> <hr/> <p>Product #: 36768.0000</p>	 <p>DISPLAY, GRAPHICS ICED CAP</p> <hr/> <p>Product #: 36768.0005</p>	 <p>WATER FILTER, EQHP-10L</p> <hr/> <p>Product #: 39000.0001³</p>	 <p>WATER FILTER, EQHP-10</p> <hr/> <p>Product #: 39000.0004³</p>	 <p>SYSTEM, WQ-55(2)5L</p> <hr/> <p>Product #: 56000.0001¹</p>
---	--	--	---	--

 <p>SYSTEM, WQ-55(2)5</p> <hr/> <p>Product #: 56000.0004¹</p>	 <p>SYSTEM, WEQ-10(1.5)5L</p> <hr/> <p>Product #: 56000.0024¹</p>	 <p>SYSTEM, WEQ-10(1.5)5</p> <hr/> <p>Product #: 56000.0027¹</p>	 <p>CARTRIDGE, WQ-55(2)5L</p> <hr/> <p>Product #: 56000.0101¹</p>	 <p>CARTRIDGE, WQ-55(2)5</p> <hr/> <p>Product #: 56000.0104¹</p>
---	---	--	---	--

 <p>CARTRIDGE, WEQ-10 (1.5)5L</p> <hr/> <p>Product #: 56000.0121¹</p>	 <p>CARTRIDGE, WEQ-10 (1.5)5</p> <hr/> <p>Product #: 56000.0122¹</p>
---	--

¹NSF Certified ²NSF Certified with spec sheet model listed ³NSF Certified under Solventum Purification ⁴NSF Certified under Mavea LLC ⁵NSF Certified under Zojirushi ⁶NSF Certified under Qins Inc ⁷NSF COMPONENT Certified



BUNN® reserves the right to change specifications and product design without notice. Such revisions do not entitle the buyer to corresponding changes, improvements, additions or replacements for previously purchased equipment. For most current specifications and other info visit bunn.com.

Last Updated:
09/23/2025

Serving & Holding Options: iMIX®-5 Black(37000.0000)

Serving and Holding selections are currently unavailable. Please contact your sales representative to find out more information.

¹NSF Certified ²NSF Certified with spec sheet model listed ³NSF Certified under Solventum Purification ⁴NSF Certified under Mavea LLC ⁵NSF Certified under Zojirushi ⁶NSF Certified under Qins Inc ⁷NSF COMPONENT Certified



BUNN® reserves the right to change specifications and product design without notice. Such revisions do not entitle the buyer to corresponding changes, improvements, additions or replacements for previously purchased equipment. For most current specifications and other info visit bunn.com.

Last Updated:
09/23/2025