

Ultra®-2A LAFI Liquid Autofill

Height: 31.9" (81.0cm) Width: 16.0" (40.6cm) Depth: 24.5" (62.2cm)



- Two large product hoppers hold 11.4 liters each to maximize serving capacity
- LED lighted merchandisers in hopper lids bring high visibility to front-of-house applications
- Patented beverage monitoring technology and reversing auger design ensure consistent, great tasting frozen beverages
- Full 2-year parts and 1-year labor warranty. 5-year parts and 1-year labor warranty on compressor and 3-year parts and labor warranty on electronics. See the product manual for additional details.
- User interface communicates need for cleaning and maintenance: simple programming, cleaning and preventive maintenance guides ensure reliable operation and performance – minimizing down time and maximizing serving capacity and profits
- Liquid auto-fill interface with brix pumps reduces labor and ensures that products are ready to serve at peak demand

Agency:



Specifications

Product #: 34000.0066
Autofill: Liquid
Water Access: Not Plumbed
Finish: Black
Hoppers: Two
Refrigerant: R404A
Handle: Standard Handle
Legs: 4" Black Legs

Additional Features

Electrical & Capacity

Volts*	Amps	Watts	Cord Attached	Plug Type	8oz cups/hr 236ml cups/hr	Input H ₂ O Temp.	Phase	# Wires plus Ground	Hertz
220-240	4.7-5.1	1050-1100	Yes	EURO 16A	-	60°F (15.5°C)	1	2	50-60

*When a BUNN is machine rated 120/208-240V, 120/208V or 120/240V, the higher voltage is the supply voltage needed to power the machine. The 120V is there to supply power to some components rated 120V in the machine, but it is not the supply voltage and would not power the machine if the machine is marked with the before mentioned ratings.

Plumbing Requirements

PSI	kPa	Fitting Supplied	Water Flow Required (GPM)
-	-	-	-

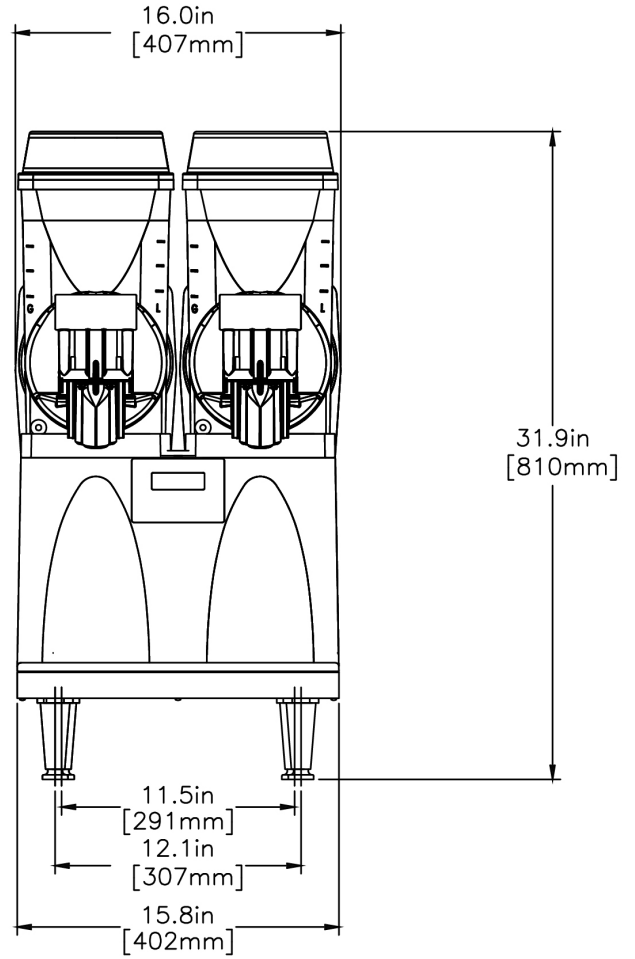
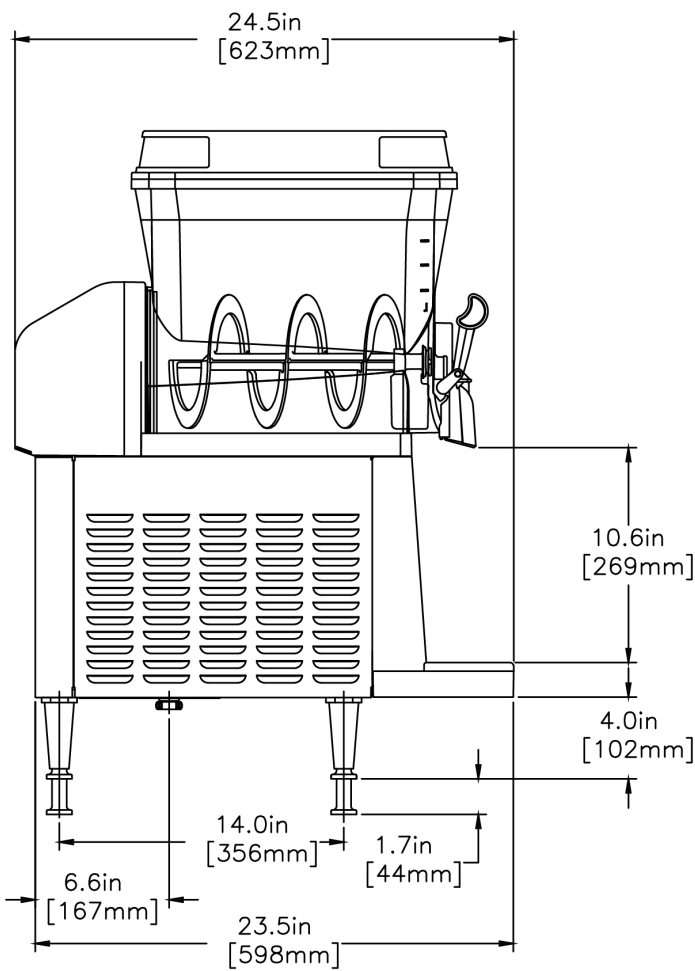
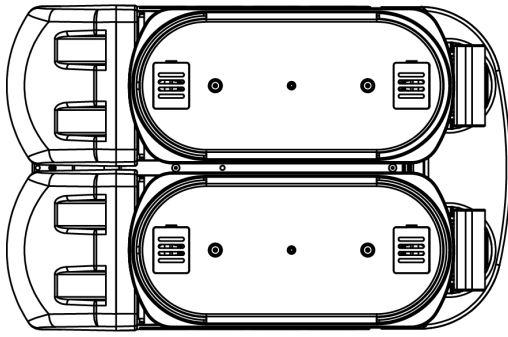
CAD Drawings

2D	Revit	KLC
●		



BUNN® reserves the right to change specifications and product design without notice. Such revisions do not entitle the buyer to corresponding changes, improvements, additions or replacements for previously purchased equipment. For most current specifications and other info visit bunn.com.

Last Updated:
05/03/2021



	Unit			Shipping				
	Height	Width	Depth	Height	Width	Depth	Weight	Volume
English	31.9 in.	16.0 in.	24.5 in.	28.7 in.	19.1 in.	24.6 in.	140.260 lbs	7.819 ft ³
Metric	81.0 cm	40.6 cm	62.2 cm	72.9 cm	48.6 cm	62.5 cm	63.622 kgs	0.221 m ³



BUNN® reserves the right to change specifications and product design without notice. Such revisions do not entitle the buyer to corresponding changes, improvements, additions or replacements for previously purchased equipment. For most current specifications and other info visit bunn.com.

Last Updated:
05/03/2021

Related Products & Accessories: Ultra®-2A LAFI Liquid Autofill(34000.0066)



DRIP TRAY ASSY,
LOWER-BLK

Product #: 28086.0001

COVER, DRIP TRAY
ULTRA 2 BLK

Product #: 32068.0001



BUNN® reserves the right to change specifications and product design without notice. Such revisions do not entitle the buyer to corresponding changes, improvements, additions or replacements for previously purchased equipment. For most current specifications and other info visit bunn.com.

Last Updated:
05/03/2021

Serving & Holding Options: Ultra®-2A LAFI Liquid Autofill(34000.0066)

Serving and Holding selections are currently unavailable. Please contact your sales representative to find out more information.



BUNN® reserves the right to change specifications and product design without notice. Such revisions do not entitle the buyer to corresponding changes, improvements, additions or replacements for previously purchased equipment. For most current specifications and other info visit bunn.com.

Last Updated:
05/03/2021