

# JDF®-4S Lit Door

Height: 33.4" (84.8cm) Width: 15.7" (39.9cm) Depth: 28.0" (71.1cm)



- Patented High Intensity Mixing System delivers consistent quality beverages in the cup - cup after cup, from the top of the cup to the bottom of the cup
- 17.8cm cup clearance
- Easy to program three size portion control dispense settings
- Quick dispense with 29.6 to 44.4mL per second flow rate
- One dispenser delivers both frozen and ambient concentrate products to maximize profitability by providing greater flexibility in product offerings
- Door lock standard
- Service friendly design makes set up and maintenance simple
- Burst Capacity: At rate of three 355mL drink/min, 145 drinks before exceeding 5°C (24°C ambient and 24°C incoming water temp)
- LED lighted door graphics bring high visibility to front-of-house applications

Agency:

## Specifications

**Product #:** 37300.6023

**Flavors:** 4 Flavors

**Water Access:** Plumbed

**Finish:** Black

**Door:** Lit

**Refrigerant:** R-134A

**Ice Bank:** 18.00 lbs (8.165 kgs)

**Dispense:** Portion Control

## Additional Features

## Electrical & Capacity

Volts*	Amps	Watts	Cord Attached	Plug Type	8oz cups/hr 236ml cups/hr	Input H <sub>2</sub> O Temp.	Phase	# Wires plus Ground	Hertz
-	-	-	-	-	-	60°F (15.5°C)	-	-	-

\*When a BUNN is machine rated 120/208-240V, 120/208V or 120/240V, the higher voltage is the supply voltage needed to power the machine. The 120V is there to supply power to some components rated 120V in the machine, but it is not the supply voltage and would not power the machine if the machine is marked with the before mentioned ratings.

## Plumbing Requirements

PSI	kPa	Fitting Supplied	Water Flow Required (GPM)
20-100	138-689	3/8" Male Flare Fitting	-

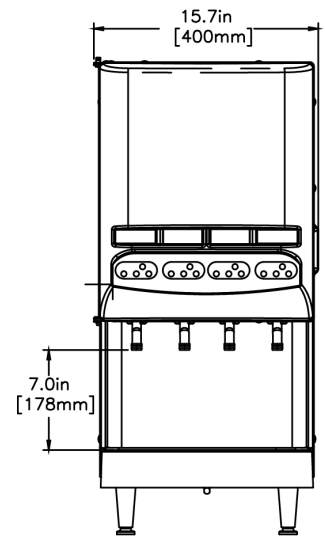
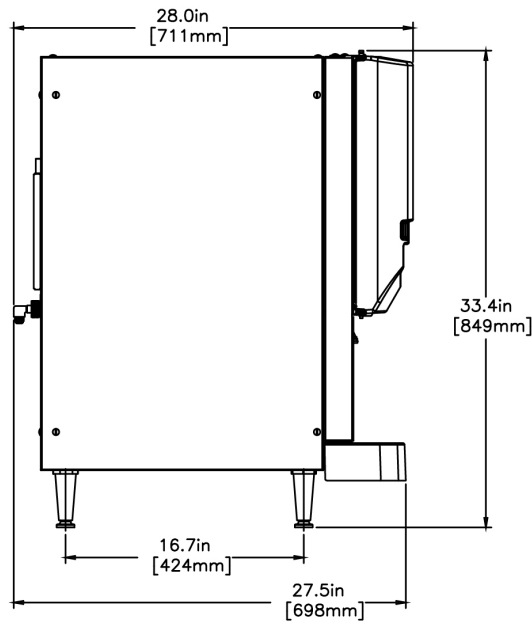
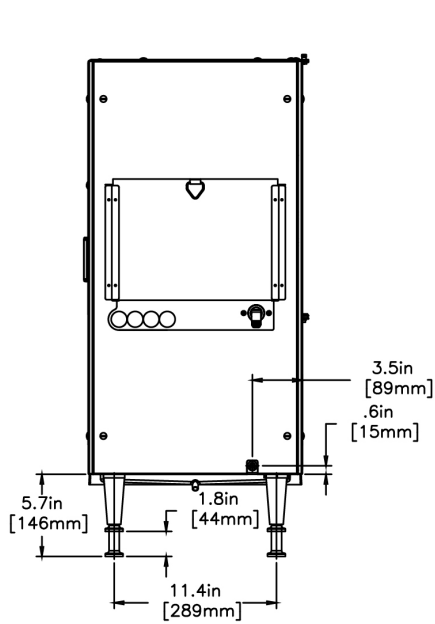
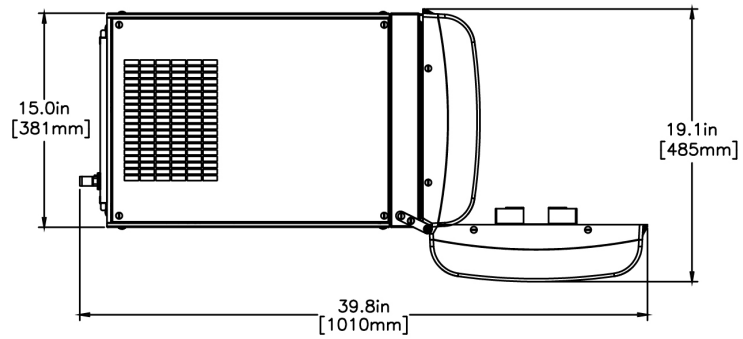
## CAD Drawings

2D	Revit	KLC
●		



BUNN® reserves the right to change specifications and product design without notice. Such revisions do not entitle the buyer to corresponding changes, improvements, additions or replacements for previously purchased equipment. For most current specifications and other info visit [bunn.com](http://bunn.com).

Last Updated:  
05/03/2021



Unit			Shipping					
	Height	Width	Depth	Height	Width	Depth	Weight	Volume
English	33.4 in.	15.7 in.	28.0 in.	43.7 in.	22.8 in.	30.5 in.	-	17.543 ft <sup>3</sup>
Metric	84.8 cm	39.9 cm	71.1 cm	111.0 cm	57.8 cm	77.5 cm	-	0.497 m <sup>3</sup>



BUNN® reserves the right to change specifications and product design without notice. Such revisions do not entitle the buyer to corresponding changes, improvements, additions or replacements for previously purchased equipment. For most current specifications and other info visit [bunn.com](http://bunn.com).

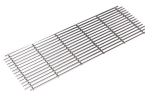
Last Updated:  
05/03/2021

# Related Products & Accessories: JDF®-4S Lit Door(37300.6023)



CONTAINER ASSY,  
REFILLABLE

Product #: 39302.0000



WIRE GRILL, DRIP TRAY  
(JDF-4S)

Product #: 39613.0000



TRAY, EXTENDED DRIP  
JDF-4S

Product #: 40789.1000

KIT, MEMB SWITCH-  
PORTION CTRL

Product #: 41298.0000

KIT, MEMB SWITCH-  
PUSH & HOLD

Product #: 41299.0000



BUNN® reserves the right to change specifications and product design without notice. Such revisions do not entitle the buyer to corresponding changes, improvements, additions or replacements for previously purchased equipment. For most current specifications and other info visit [bunn.com](http://bunn.com).

Last Updated:  
05/03/2021

## Serving & Holding Options: JDF®-4S Lit Door(37300.6023)

\*Serving and Holding selections are currently unavailable. Please contact your sales representative to find out more information.\*



BUNN® reserves the right to change specifications and product design without notice. Such revisions do not entitle the buyer to corresponding changes, improvements, additions or replacements for previously purchased equipment. For most current specifications and other info visit [bunn.com](http://bunn.com).

Last Updated:  
05/03/2021