

JDF®-4S Lit Door

Height: 33.4" (84.8cm) Width: 15.7" (39.9cm) Depth: 28.0" (71.1cm)



- Patented High Intensity Mixing System delivers consistent quality beverages in the cup - cup after cup, from the top of the cup to the bottom of the cup
- 7" (17.8cm) cup clearance accommodates most juice containers
- Easy to program three size portion control dispense settings
- Quick dispense with 1.0 to 1.5oz (29.6 to 44.4ml) per second flow rate
- One dispenser delivers both frozen and ambient concentrate products to maximize profitability by providing greater flexibility in product offerings
- Door lock standard
- Service friendly design makes set up and maintenance simple
- Burst Capacity: At rate of three 12 oz drink/min, 145 drinks before exceeding 41°F (75°F ambient and 75°F incoming water temp)
- Pumps and Mixes most 2+1 to 11+1 concentrates accurately and consistently, including 4+1 and 5+1 high viscosity concentrates
- LED lighted door graphics bring high visibility to front-of-house applications

Agency:



Specifications

Product #: 37300.0023

Flavors: 4 Flavors

Water Access: Plumbed

Finish: Black

Door: Lit

Refrigerant: R-134A

Ice Bank: 18.00 lbs (8.165 kgs)

Dispense: Portion Control

Additional Features

Electrical & Capacity

Volts*	Amps	Watts	Cord Attached	Plug Type	8oz cups/hr 236ml cups/hr	Input H ₂ O Temp.	Phase	# Wires plus Ground	Hertz
120	6	720	Yes	NEMA 5-15P	-	60°F (15.5°C)	1	2	60

*When a BUNN is machine rated 120/208-240V, 120/208V or 120/240V, the higher voltage is the supply voltage needed to power the machine. The 120V is there to supply power to some components rated 120V in the machine, but it is not the supply voltage and would not power the machine if the machine is marked with the before mentioned ratings.

Plumbing Requirements

PSI	kPa	Fitting Supplied	Water Flow Required (GPM)
20-100	138-689	3/8" Male Flare Fitting	-

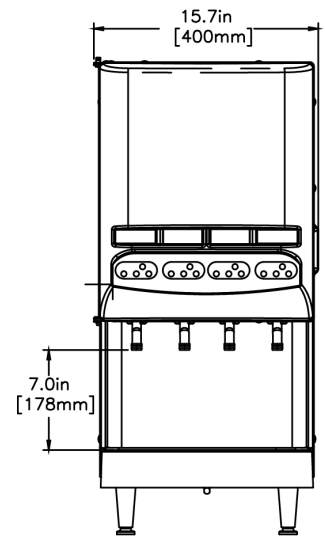
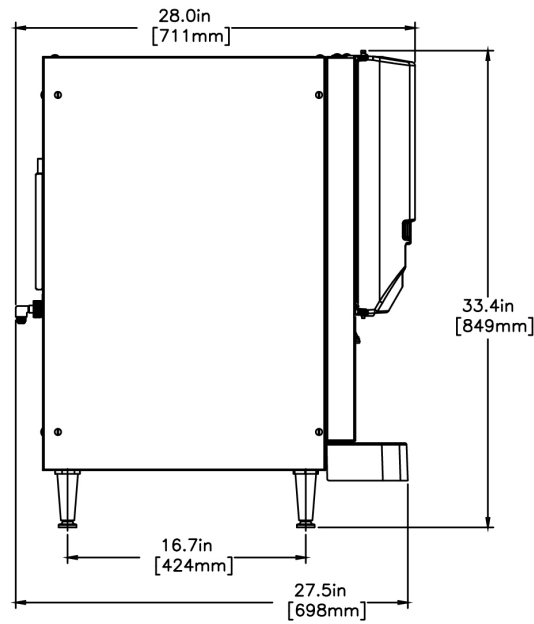
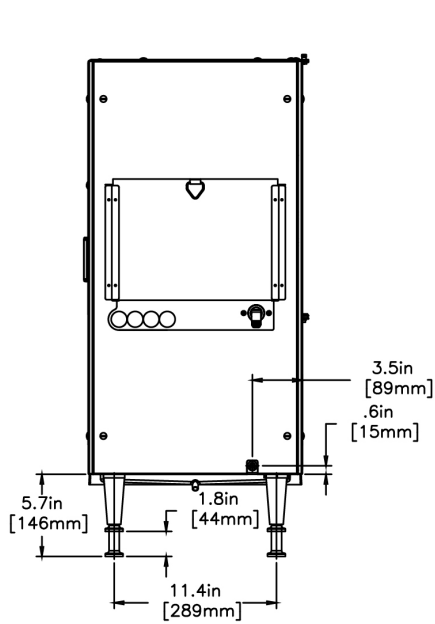
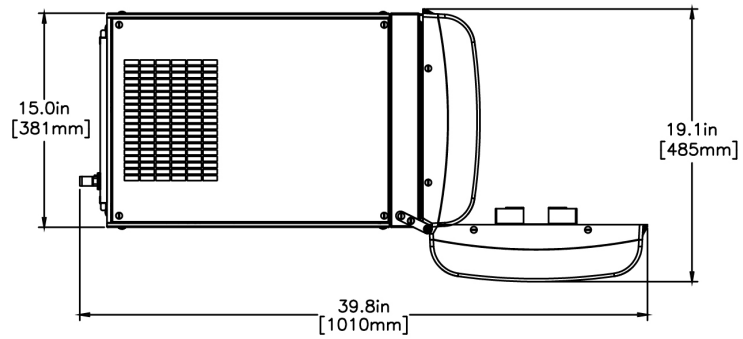
CAD Drawings

2D	Revit	KLC
●		



BUNN® reserves the right to change specifications and product design without notice. Such revisions do not entitle the buyer to corresponding changes, improvements, additions or replacements for previously purchased equipment. For most current specifications and other info visit bunn.com.

Last Updated:
05/03/2021




Unit			Shipping					
	Height	Width	Depth	Height	Width	Depth	Weight	Volume
English	33.4 in.	15.7 in.	28.0 in.	43.7 in.	22.8 in.	30.5 in.	145.450 lbs	17.543 ft ³
Metric	84.8 cm	39.9 cm	71.1 cm	111.0 cm	57.8 cm	77.5 cm	65.976 kgs	0.497 m ³



BUNN® reserves the right to change specifications and product design without notice. Such revisions do not entitle the buyer to corresponding changes, improvements, additions or replacements for previously purchased equipment. For most current specifications and other info visit bunn.com.

Last Updated:
05/03/2021

Related Products & Accessories: JDF®-4S Lit Door(37300.0023)



KIT, AMBIENT CONC
CVRSN JDF-4

Product #: 33699.0001




CONTAINER ASSY,
REFILLABLE

Product #: 39302.0000



WIRE GRILL, DRIP TRAY
(JDF-4S)

Product #: 39613.0000



KIT, HOSE ASSY-PUMP
JDF-2S/4S

Product #: 39690.0000



TRAY, EXTENDED DRIP
JDF-4S

Product #: 40789.1000



BUNN® reserves the right to change specifications and product design without notice. Such revisions do not entitle the buyer to corresponding changes, improvements, additions or replacements for previously purchased equipment. For most current specifications and other info visit bunn.com.

Last Updated:
05/03/2021

Serving & Holding Options: JDF®-4S Lit Door(37300.0023)

Serving and Holding selections are currently unavailable. Please contact your sales representative to find out more information.



BUNN® reserves the right to change specifications and product design without notice. Such revisions do not entitle the buyer to corresponding changes, improvements, additions or replacements for previously purchased equipment. For most current specifications and other info visit bunn.com.

Last Updated:
05/03/2021