

FMD-2 BLK

Height: 29.5" Width: 8.2" Depth: 21.4"
(74.9cm) (20.8cm) (54.4cm)

- Adjustable legs and drip tray allows up to 7" (17.8cm) opening for 20oz cups
- Designed to be easily serviced from front and top of machine
- Improved automatic rinsing of whipper reduces run-on after beverage is dispensed
- Large easy-to-fill translucent hoppers hold 4lb (1.81kg) of product each, ensuring quick and timely refilling
- Lighted graphics merchandise drinks for maximizing profits
- Space saving narrow 8" (20.3cm) cabinet width
- Specially designed mixing system guarantees perfect beverages every time
- Variable speed motors allow control of product consistency in mixing chamber (.75 to 6.6 grams of powder per second)

Agency:

Specifications

Product #: 29200.6001

Water Access: Plumbed

Finish: Black

Hoppers: Two

Door: Lit

Door: Top Hinge

Dispense: Push Button

Additional Features

Electrical & Capacity

Volts*	Amps	Watts	Cord Attached	Plug Type	8oz cups/hr 236ml cups/hr	Input H ₂ O Temp.	Phase	# Wires plus Ground	Hertz
-	-	-	-	-	67	60°F (15.5°C)	-	-	-

*When a BUNN is machine rated 120/208-240V, 120/208V or 120/240V, the higher voltage is the supply voltage needed to power the machine. The 120V is there to supply power to some components rated 120V in the machine, but it is not the supply voltage and would not power the machine if the machine is marked with the before mentioned ratings.

Plumbing Requirements

PSI	kPa	Fitting Supplied	Water Flow Required (GPM)
20-90	138-621	1/4" Male Flare Fitting	-

CAD Drawings

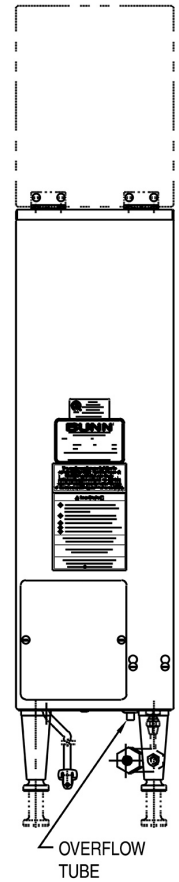
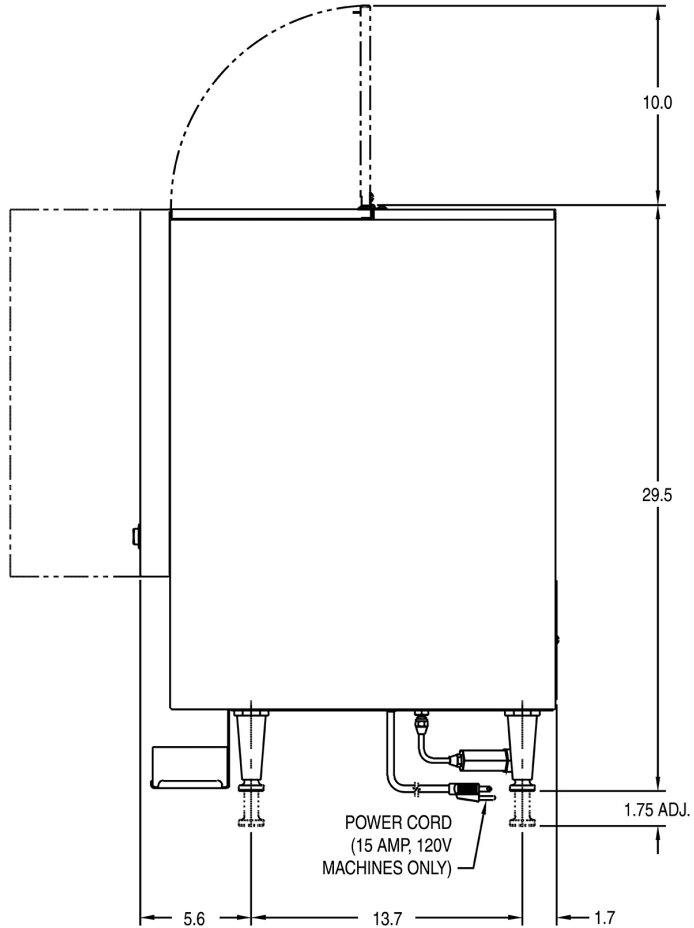
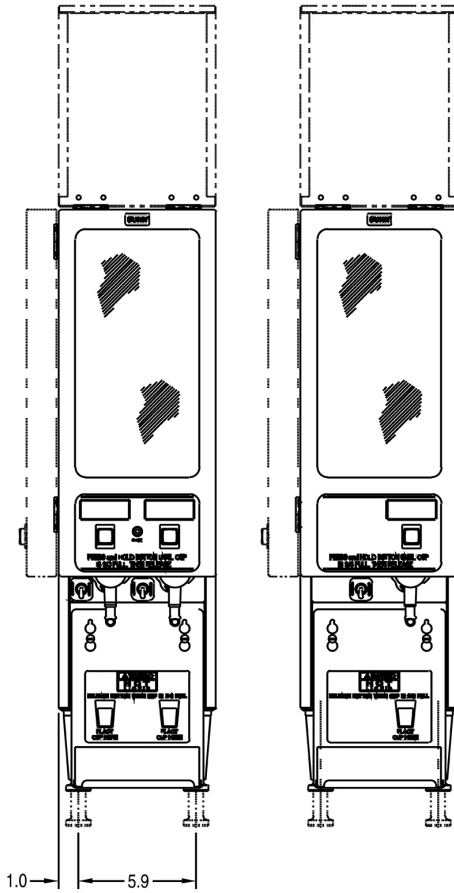
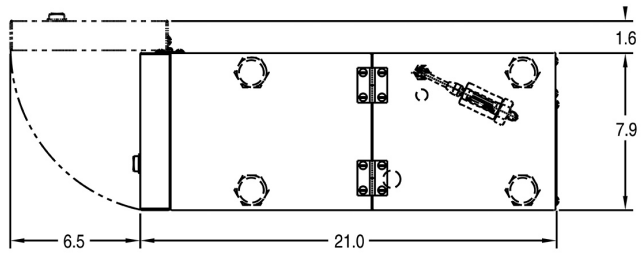
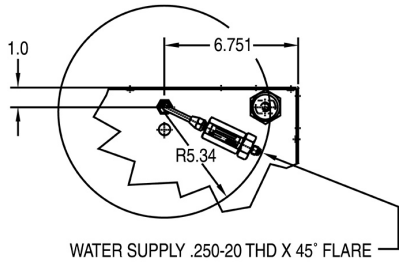
2D	Revit	KLC
●		

 **WARNING:**



BUNN® reserves the right to change specifications and product design without notice. Such revisions do not entitle the buyer to corresponding changes, improvements, additions or replacements for previously purchased equipment. For most current specifications and other info visit bunn.com.

Last Updated:
01/06/2025



	Unit			Shipping				
	Height	Width	Depth	Height	Width	Depth	Weight	Volume
English	29.5 in.	8.2 in.	21.4 in.	30.8 in.	10.8 in.	23.8 in.	-	4.555 ft ³
Metric	74.9 cm	20.8 cm	54.4 cm	78.1 cm	27.3 cm	60.5 cm	-	0.129 m ³



BUNN® reserves the right to change specifications and product design without notice. Such revisions do not entitle the buyer to corresponding changes, improvements, additions or replacements for previously purchased equipment. For most current specifications and other info visit bunn.com.

Last Updated:
01/06/2025

Related Products & Accessories:FMD-2 BLK(29200.6001)



SYSTEM, WQ-55(2)5L

Product #: 56000.0001



SYSTEM, WQ-55(2)5

Product #: 56000.0004



SYSTEM, WEQ-10(1.5)5L

Product #: 56000.0024



SYSTEM, WEQ-10(1.5)5

Product #: 56000.0027



CARTRIDGE, WQ-55(2)5L

Product #: 56000.0101



CARTRIDGE, WQ-55(2)5

Product #: 56000.0104



CARTRIDGE, WEQ-10
(1.5)5L

Product #: 56000.0121



CARTRIDGE, WEQ-10
(1.5)5

Product #: 56000.0122



BUNN® reserves the right to change specifications and product design without notice. Such revisions do not entitle the buyer to corresponding changes, improvements, additions or replacements for previously purchased equipment. For most current specifications and other info visit bunn.com.

Last Updated:
01/06/2025

Serving & Holding Options: FMD-2 BLK(29200.6001)

Serving and Holding selections are currently unavailable. Please contact your sales representative to find out more information.



BUNN® reserves the right to change specifications and product design without notice. Such revisions do not entitle the buyer to corresponding changes, improvements, additions or replacements for previously purchased equipment. For most current specifications and other info visit bunn.com.

Last Updated:
01/06/2025