

# LCA-2 LP (w/ Scholle QC)

Height: 23.2" Width: 15.6" Depth: 22.3"  
(58.9cm) (39.6cm) (56.6cm)

- Accommodates two 1/2gal (1.9L) bag-in-box (BIB) containers
- Attractive appearance with shorter profile
- Serves two coffee products and hot water
- Set up for continuous dispense (by the cup) for self-serve applications or portion control to fill cups or carafes
- Refill or rinse LED lights alert the operator for concentrate or cleaning



Agency:

## Specifications

**Product #:** 38800.6002

**Water Access:** Plumbed

**Finish:** Black

**Connector:** Scholle QC

**Product Ratio:** 25:1-100:1

## Additional Features

## Electrical & Capacity

Volts*	Amps	Watts	Cord Attached	Plug Type	8oz cups/hr 236ml cups/hr	Input H <sub>2</sub> O Temp.	Phase	# Wires plus Ground	Hertz
-	-	-	-	-	765	60°F (15.5°C)	-	-	-

\*When a BUNN is machine rated 120/208-240V, 120/208V or 120/240V, the higher voltage is the supply voltage needed to power the machine. The 120V is there to supply power to some components rated 120V in the machine, but it is not the supply voltage and would not power the machine if the machine is marked with the before mentioned ratings.

## Plumbing Requirements

PSI	kPa	Fitting Supplied	Water Flow Required (GPM)
20-90	138-621	1/4" Male Flare Fitting	-

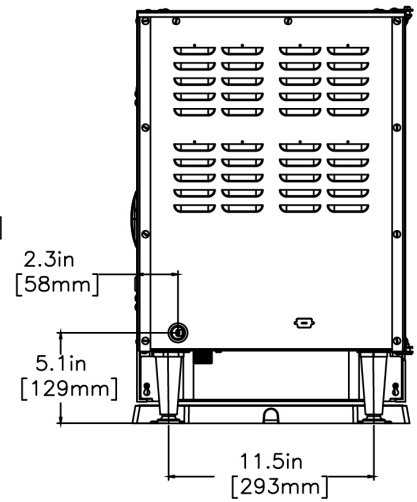
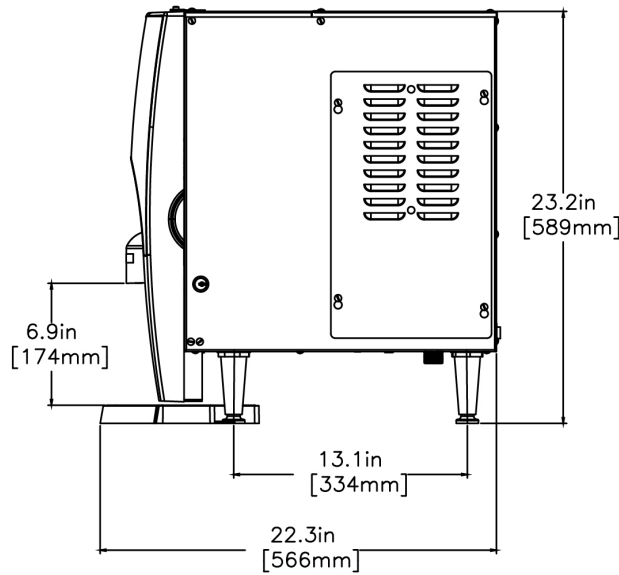
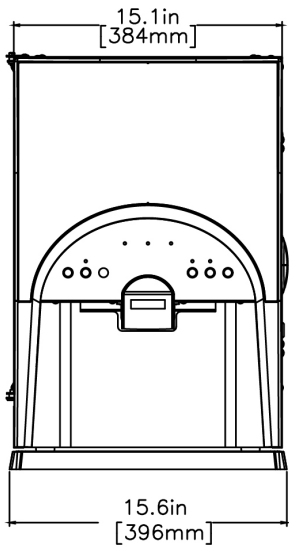
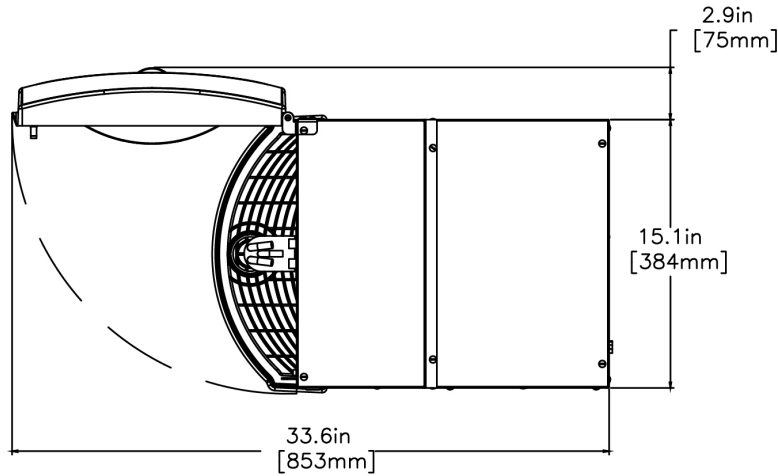
## CAD Drawings

2D	Revit	KLC
●		



BUNN® reserves the right to change specifications and product design without notice. Such revisions do not entitle the buyer to corresponding changes, improvements, additions or replacements for previously purchased equipment. For most current specifications and other info visit [bunn.com](http://bunn.com).

Last Updated:  
09/04/2020



	Unit			Shipping				
	Height	Width	Depth	Height	Width	Depth	Weight	Volume
English	23.2 in.	15.6 in.	22.3 in.	29.3 in.	18.9 in.	24.6 in.	-	7.868 ft <sup>3</sup>
Metric	58.9 cm	39.6 cm	56.6 cm	74.3 cm	47.9 cm	62.5 cm	-	0.223 m <sup>3</sup>



BUNN® reserves the right to change specifications and product design without notice. Such revisions do not entitle the buyer to corresponding changes, improvements, additions or replacements for previously purchased equipment. For most current specifications and other info visit [bunn.com](http://bunn.com).

Last Updated:  
09/04/2020

# Related Products & Accessories:LCA-2 LP (w/ Scholle QC)(38800.6002)



KIT,DISPENSE RATIO  
CAL LCA/LCC

Product #: 34843.1000

PUMP TUBE ASSY,LP  
W/1/8" TUBE

Product #: 37942.1000

ADPTR/TUBE PKG, W/  
SCHOLLE 1910 & 1/8"

Product #: 38800.0200

ADPTR/TUBE PKG,  
SCHOLLE-Q/C 1/8"

Product #: 38800.0202



BUNN® reserves the right to change specifications and product design without notice. Such revisions do not entitle the buyer to corresponding changes, improvements, additions or replacements for previously purchased equipment. For most current specifications and other info visit [bunn.com](http://bunn.com).

Last Updated:  
09/04/2020

# Serving & Holding Options: LCA-2 LP (w/ Scholle QC)(38800.6002)

\*Serving and Holding selections are currently unavailable. Please contact your sales representative to find out more information.\*



BUNN® reserves the right to change specifications and product design without notice. Such revisions do not entitle the buyer to corresponding changes, improvements, additions or replacements for previously purchased equipment. For most current specifications and other info visit [bunn.com](http://bunn.com).

Last Updated:  
09/04/2020