

LCA-2 (w/Scholle 1910 3/16", Long Feed)

Height: 31.3" Width: 12.2" Depth: 24.8"
(79.5cm) (31.0cm) (63.0cm)



- Accommodates 1/2gal (1.9L) and most 1gal (3.8L) bag-in-box (BIB) containers
- Attractive appearance and narrow 12" (30.5 cm) width
- FlavorGard® technology continuously monitors extract-to-water ratio and assures flavor consistency
- Refill or rinse LED lights alert the operator for concentrate or cleaning
- Ventilated Cabinet
- Insulated product cabinet assures maximum product life

Agency:



Specifications

Product #: 34400.0031

Finish: Black

Product Ratio: 25:1-60:1

Legs: 4" Black Legs

Connector: Scholle 1910LX

Water Access: Plumbed

Additional Features

Alt Disp Rate 2.5 oz/s(74ml/s)

Hot Water Button

Electrical & Capacity

| Volts* | Amps | Watts | Cord Attached | Plug Type | 8oz cups/hr 236ml cups/hr | Input H ₂ O Temp. | Phase | # Wires plus Ground | Hertz |
|--------|------|-------|---------------|------------|------------------------------|------------------------------|-------|---------------------|-------|
| 120 | 13.2 | 1575 | Yes | NEMA 5-15P | 73 | 60°F (15.5°C) | 1 | 2 | 60 |
| 208 | 21 | 4331 | - | N/A | 220 | 60°F (15.5°C) | 1 | 2 | 60 |
| 240 | 24 | 5700 | - | N/A | 293 | 60°F (15.5°C) | 1 | 2 | 60 |

*When a BUNN is machine rated 120/208-240V, 120/208V or 120/240V, the higher voltage is the supply voltage needed to power the machine. The 120V is there to supply power to some components rated 120V in the machine, but it is not the supply voltage and would not power the machine if the machine is marked with the before mentioned ratings.

Plumbing Requirements

| PSI | kPa | Fitting Supplied | Water Flow Required (GPM) |
|-------|---------|-------------------------|---------------------------|
| 20-90 | 138-621 | 3/8" Male Flare Fitting | - |

CAD Drawings

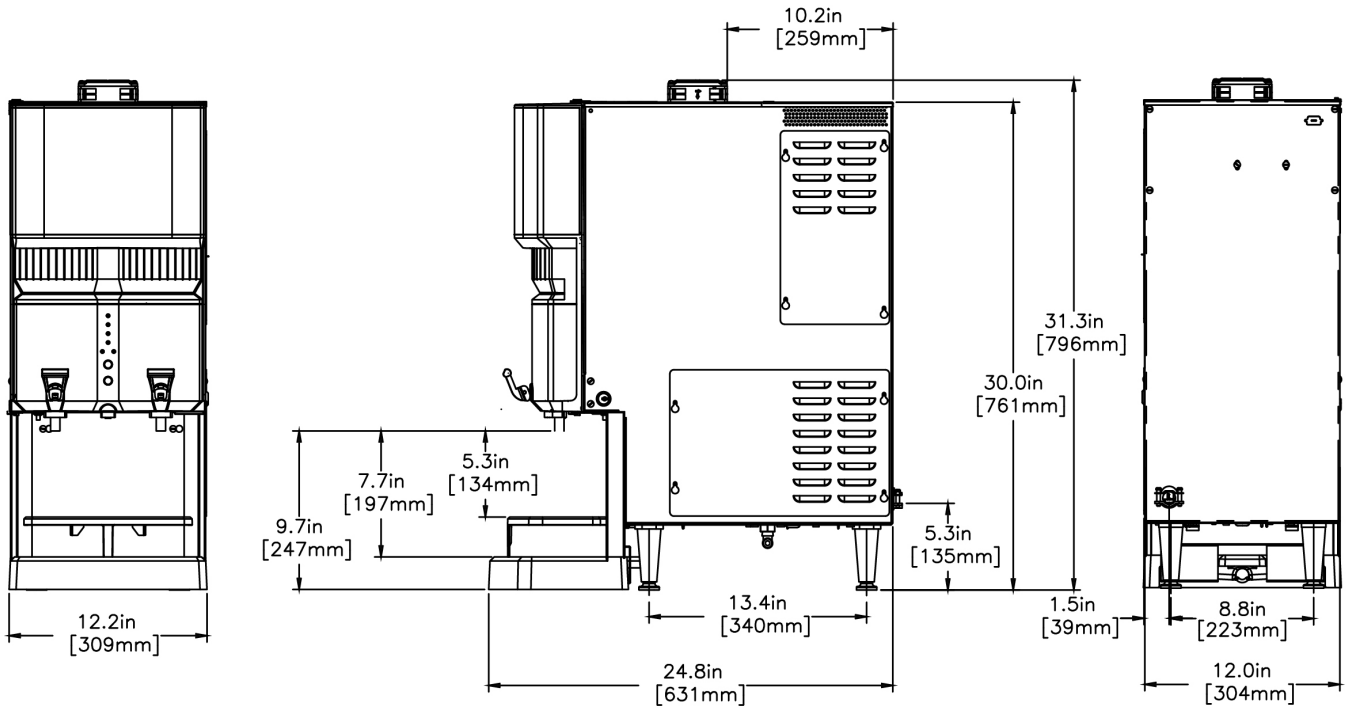
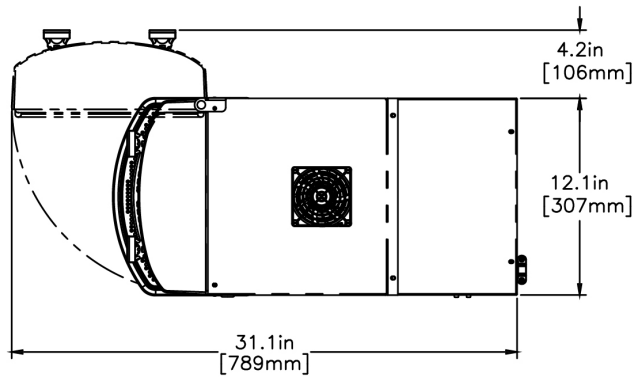
| 2D | Revit | KLC |
|----|-------|-----|
| ● | | |

WARNING: This product can expose you to chemicals including Bisphenol A (BPA), which is known to the State of California to cause birth defects or other reproductive harm. For more information go to www.P65Warnings.ca.gov



BUNN® reserves the right to change specifications and product design without notice. Such revisions do not entitle the buyer to corresponding changes, improvements, additions or replacements for previously purchased equipment. For most current specifications and other info visit bunn.com.

Last Updated:
02/21/2025



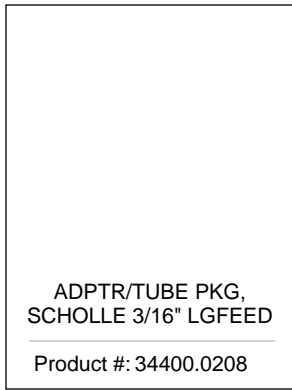
| | Unit | | | Shipping | | | | |
|---------|----------|----------|----------|----------|----------|----------|------------|------------|
| | Height | Width | Depth | Height | Width | Depth | Weight | Volume |
| English | 31.3 in. | 12.2 in. | 24.8 in. | 41.3 in. | 21.9 in. | 28.1 in. | 90.210 lbs | 14.687 ft³ |
| Metric | 79.5 cm | 31.0 cm | 63.0 cm | 104.8 cm | 55.6 cm | 71.4 cm | 40.919 kgs | 0.416 m³ |



BUNN® reserves the right to change specifications and product design without notice. Such revisions do not entitle the buyer to corresponding changes, improvements, additions or replacements for previously purchased equipment. For most current specifications and other info visit bunn.com.

Last Updated:
02/21/2025

Related Products & Accessories:LCA-2 (w/Scholle 1910 3/16", Long Feed)(34400.0031)



ADPTR/TUBE PKG,
SCHOLLE 3/16" LGFEED

Product #: 34400.0208



KIT,DISPENSE RATIO
CAL LCA/LCC

Product #: 34843.1000



SYSTEM, WQ-55(2)5L

Product #: 56000.0001



SYSTEM, WQ-55(3).2L

Product #: 56000.0002



SYSTEM, WQ-55(2)5

Product #: 56000.0004



SYSTEM, WQ-55(3).2

Product #: 56000.0005



SYSTEM, WEQ-10(1.5)5L

Product #: 56000.0024



SYSTEM, WEQ-10(1.5)5

Product #: 56000.0027



SYSTEM, WEQ-25(2).2

Product #: 56000.0028



SYSTEM, WEQ-35(3).2L

Product #: 56000.0034



CARTRIDGE, WQ-55(2)5L

Product #: 56000.0101



CARTRIDGE, WQ-55
(3).2L

Product #: 56000.0102



CARTRIDGE, WQ-55(2)5

Product #: 56000.0104



CARTRIDGE, WQ-55(3).2

Product #: 56000.0105



CARTRIDGE, WEQ-10
(1.5)5L

Product #: 56000.0121



CARTRIDGE, WEQ-10
(1.5)5

Product #: 56000.0122



CARTRIDGE, WEQ-25
(2).2

Product #: 56000.0124



CARTRIDGE, WEQ-35
(3).2L

Product #: 56000.0126

Serving & Holding Options: LCA-2 (w/Scholle 1910 3/16", Long Feed)(34400.0031)

Serving and Holding selections are currently unavailable. Please contact your sales representative to find out more information.



BUNN® reserves the right to change specifications and product design without notice. Such revisions do not entitle the buyer to corresponding changes, improvements, additions or replacements for previously purchased equipment. For most current specifications and other info visit bunn.com.

Last Updated:
02/21/2025