

# 1.9L Thermal Carafe ORNG (12 pk)

Height: 8.0" Width: 6.4" Depth: 8.2"  
(20.3cm) (16.3cm) (20.8cm)

- Holds 62oz (1.83L) of coffee or other hot beverages
- Unbreakable stainless steel interior and exterior
- Vacuum insulation keeps beverages hot for hours



Agency:



## Specifications

**Product #:** 36252.0000

**Finish:** Stainless/Black

**Liner:** Stainless Steel

**Lid Color:** Orange

## Additional Features

## Holding Capacity

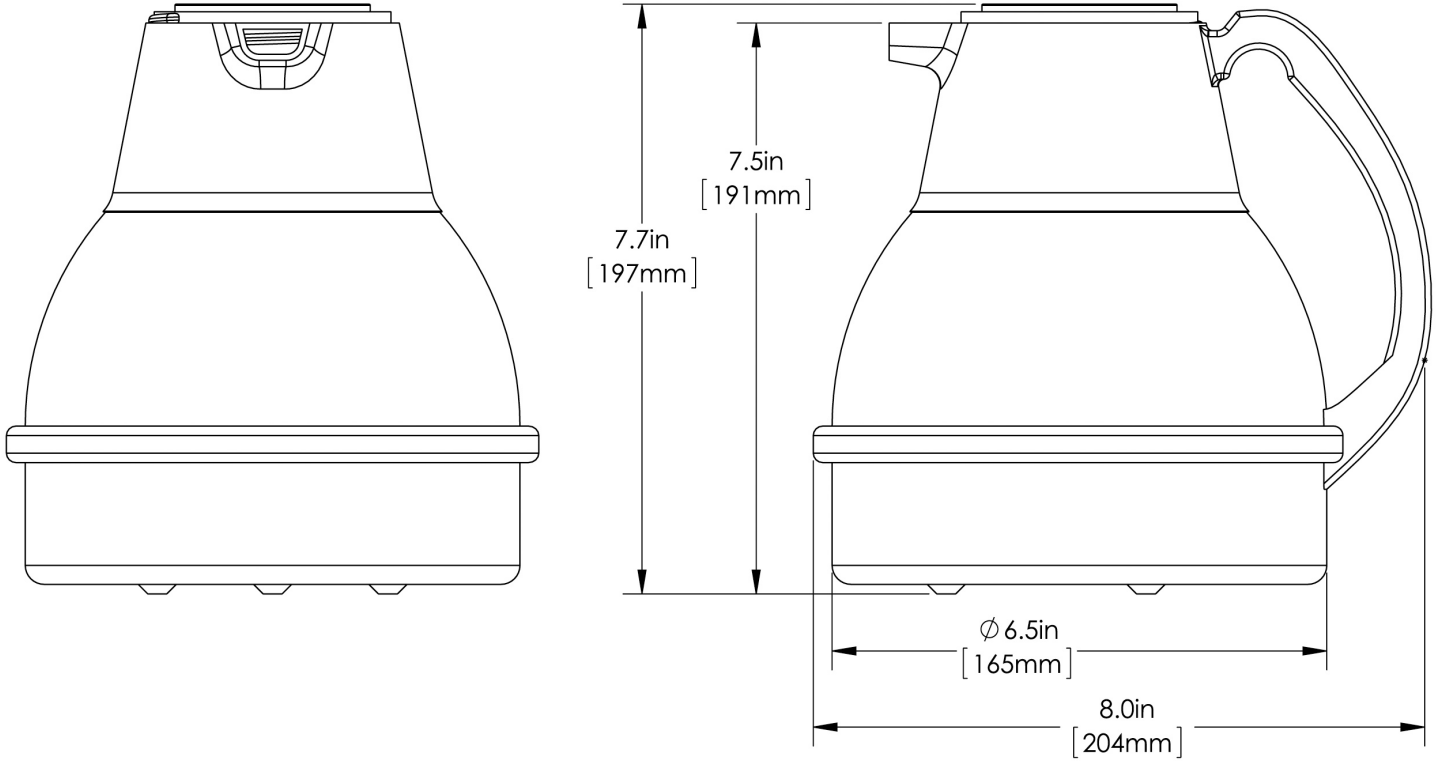
English	Metric
62 oz.	1.8 L

 **WARNING:**



BUNN® reserves the right to change specifications and product design without notice. Such revisions do not entitle the buyer to corresponding changes, improvements, additions or replacements for previously purchased equipment. For most current specifications and other info visit [bunn.com](http://bunn.com).

Last Updated:  
08/19/2024



	Unit			Shipping				
	Height	Width	Depth	Height	Width	Depth	Weight	Volume
English	8.0 in.	6.4 in.	8.2 in.	17.5 in.	22.5 in.	15.0 in.	32.000 lbs	3.418 ft <sup>3</sup>
Metric	20.3 cm	16.3 cm	20.8 cm	44.5 cm	57.2 cm	38.1 cm	14.515 kgs	0.097 m <sup>3</sup>



BUNN® reserves the right to change specifications and product design without notice. Such revisions do not entitle the buyer to corresponding changes, improvements, additions or replacements for previously purchased equipment. For most current specifications and other info visit [bunn.com](http://bunn.com).

Last Updated:  
08/19/2024

## Related Products & Accessories: 1.9L Thermal Carafe ORNG (12 pk)(36252.0000)



THERMAL CARAFE, BLK  
1.9L 12PK

Product #: 36029.0000



THERMAL CARAFE, ORN  
1.9L 1PK

Product #: 36252.0001

STOPPER, THRM L  
CARFE 1.9L-ORG

Product #: 36254.0001



CARAFE, SST 1.9L SHRT  
BLK 1

Product #: 40163.0000



CARAFE, THRM L  
SEAMLESS 1.9L BLK &  
ORN LID

Product #: 51746.0003

CARAFE, THRM SMLS  
1.9L BLK & ORN 12/CS

Product #: 51746.0103



BUNN® reserves the right to change specifications and product design without notice. Such revisions do not entitle the buyer to corresponding changes, improvements, additions or replacements for previously purchased equipment. For most current specifications and other info visit [bunn.com](http://bunn.com).

Last Updated:  
08/19/2024

# Model Compatibility: 1.9L Thermal Carafe ORNG (12 pk)(36252.0000)

\*Serving and Holding selections are currently unavailable. Please contact your sales representative to find out more information.\*



BUNN® reserves the right to change specifications and product design without notice. Such revisions do not entitle the buyer to corresponding changes, improvements, additions or replacements for previously purchased equipment. For most current specifications and other info visit [bunn.com](http://bunn.com).

Last Updated:  
08/19/2024