

EQHP-25

13.5" x 4.0" x 4.0"
(34.3cm x 10.2cm x 10.2cm)



- Filter cartridges incorporate carbon block media and require no pre-activation
- Equipment protection from reduced sediment particles that can clog the sprayhead
- Consistent brewed coffee and tea from water with reduced sediment and chlorine taste and odor
- Pre-filter offers exceptional sediment holding capacity and particle reduction to 0.2 microns
- Certified by NSF to Standard 53 for cyst reduction
- Incorporates multi-zone pharmaceutical grade pleated nylon pre-filter
- Sanitary quick connect valve-in-head design simultaneously shuts off and vents water with 1/4 turn, allowing for simple and trouble-free cartridge change-outs

Agency:



Specifications

Product #: 39000.0005

Cartridge Type: Sanitary Quick Connect

Additional Features

Capacity

Service Flow Rate	Capacity	Micron Rating
2.1 gal/min (7.9 L/min)	25000 gal. (94633.6 L) @0 GPG of hardness	0.2

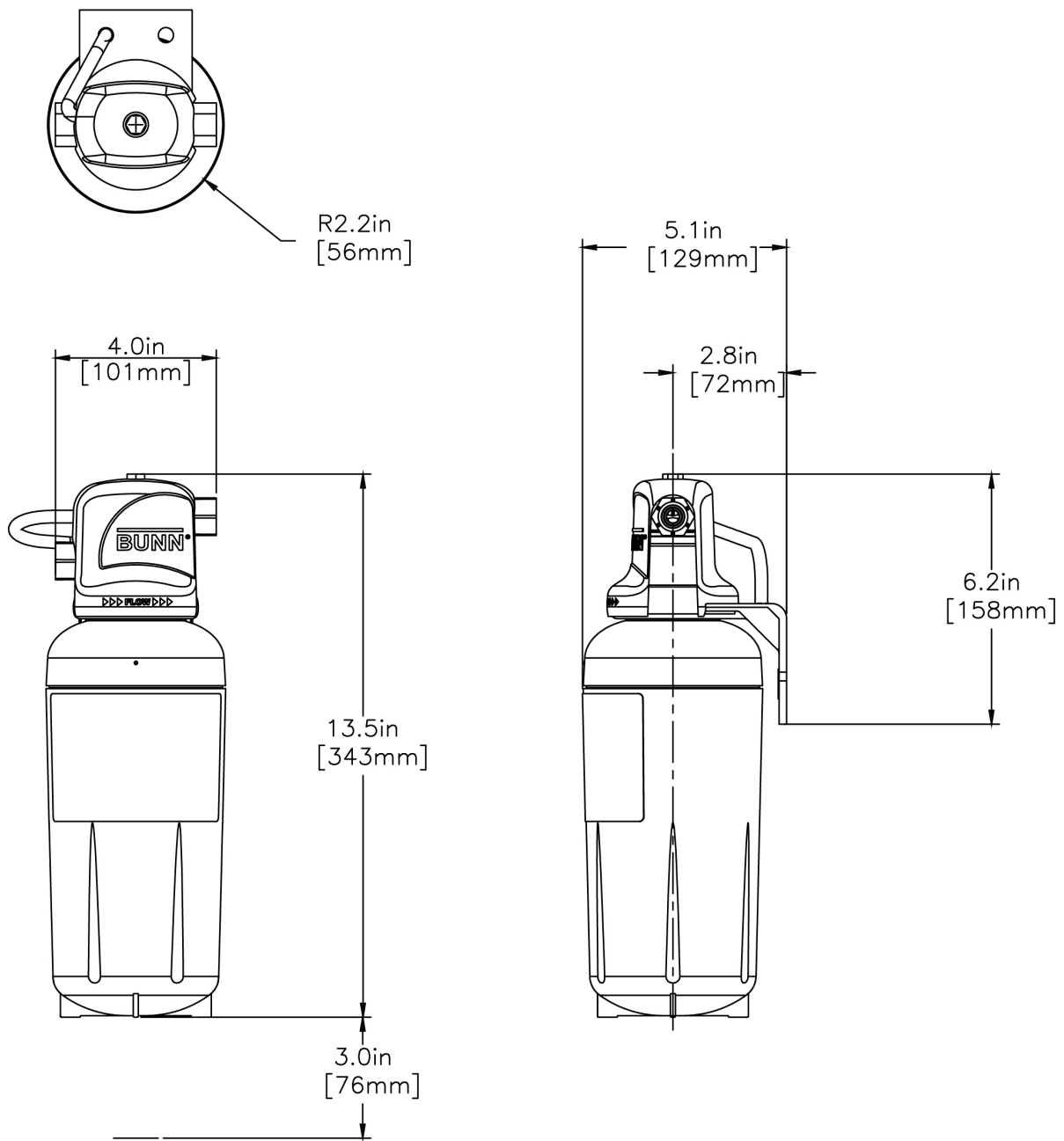
Plumbing Requirements

Max Operating Pressure	Max Operating Temperature	Inlet Connection	Outlet Connection
100 psi (689 kPa)	100°F(38°C)	3/8 IN FNPT	3/8 IN FNPT



BUNN® reserves the right to change specifications and product design without notice. Such revisions do not entitle the buyer to corresponding changes, improvements, additions or replacements for previously purchased equipment. For most current specifications and other info visit bunn.com.

Created on:
09/05/2019



	Unit			Shipping				
	Width	Height	Depth	Width	Height	Depth	Weight	Volume
English	4.0 in.	13.5 in.	4.0 in.	5.00 in.	23.00 in.	5.00 in.	3.600 lbs	-
Metric	10.2 cm	34.3 cm	10.2 cm	12.7 cm	58.4 cm	12.7 cm	1.633 kgs	-



BUNN® reserves the right to change specifications and product design without notice. Such revisions do not entitle the buyer to corresponding changes, improvements, additions or replacements for previously purchased equipment. For most current specifications and other info visit bunn.com.

Created on:
09/05/2019

Related Products & Accessories:EQHP-25(39000.0005)



GAUGE, WATER FILTER
EQHP

Product #: 39000.0100



WATER FILTER HEAD,
EQHP-VHD

Product #: 39000.1000



CARTRIDGE,
EQHP-25CRTG

Product #: 39000.1005



BUNN® reserves the right to change specifications and product design without notice. Such revisions do not entitle the buyer to corresponding changes, improvements, additions or replacements for previously purchased equipment. For most current specifications and other info visit bunn.com.

Created on:
09/05/2019

Model Compatibility: EQHP-25(39000.0005)

Serving and Holding selections are currently unavailable. Please contact your sales representative to find out more information.



BUNN® reserves the right to change specifications and product design without notice. Such revisions do not entitle the buyer to corresponding changes, improvements, additions or replacements for previously purchased equipment. For most current specifications and other info visit bunn.com.

Created on:
09/05/2019