

DUAL EDSS-11-T200F System

Height: 0.0" Width: 0.0" Depth: 0.0"
(0.0cm) (0.0cm) (0.0cm)



- 5 micron graded density filtration for long life
- Designed for High Volume BUNN liquid coffee machines supplied with hot water
- Stainless steel housings assure reliable performance in high temperature or pressure applications
- Perfectly sized to ensure quality coffee and long-term performance
- Provides 4,000 gallons of superior sediment, taste/odor and chlorine reduction @ 4 gpm
- Hot and cold water applications up to 200F (93° C)
- Rigid construction of the stainless steel housing provides durability and withstands extreme water hammer
- In-line units have 316 stainless steel heads with 304 stainless steel housings, rated to 300 psi (2,069 kPa) for durability

NOTE: Do not use with water that is microbiologically unsafe or of unknown quality without adequate disinfection before or after the system.

Specifications

Product #: 30370.1002

Application(s):

Filtration Type: Sediment

Cartridge Type: Drop In

Replacement Cartridge:

Filter Change Frequency:

Capacity

Micron Rating	Service Flow Rate	Water Filter Capacity Chlorine Reduction	Water Filter Capacity Chloramine Reduction	Water Filter Capacity Softening
5.0	2.0 gal/min (7.6 L/min)	4000 gal. (15141.4 L)	-	-

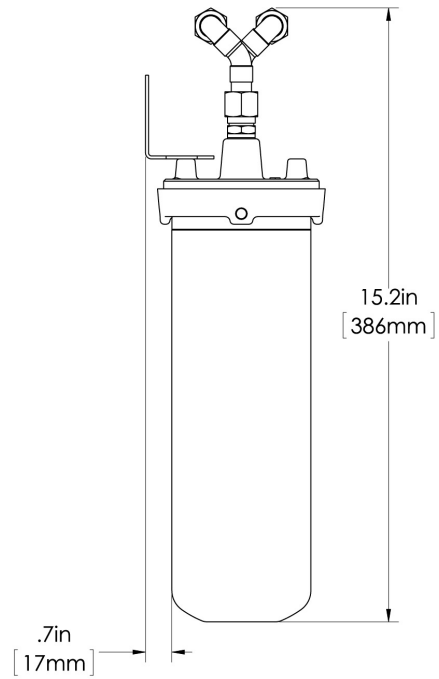
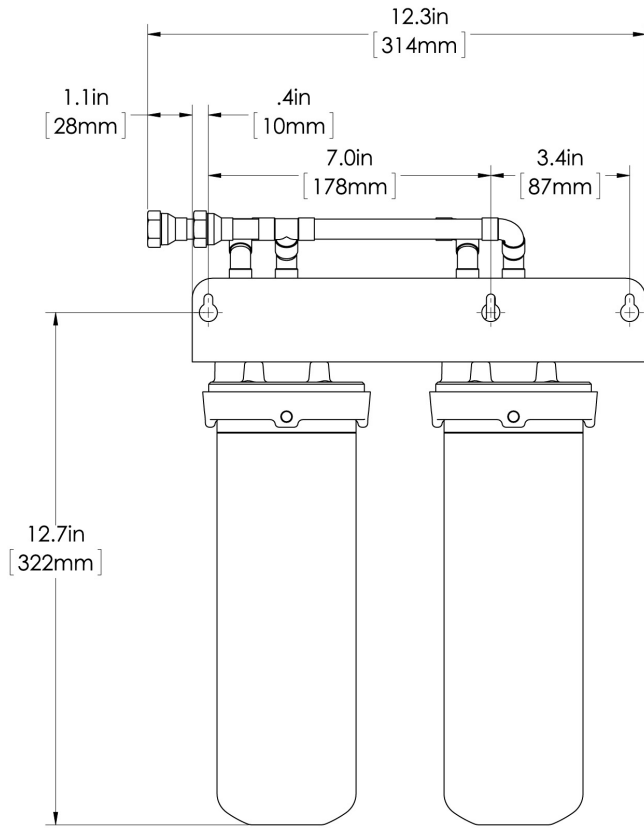
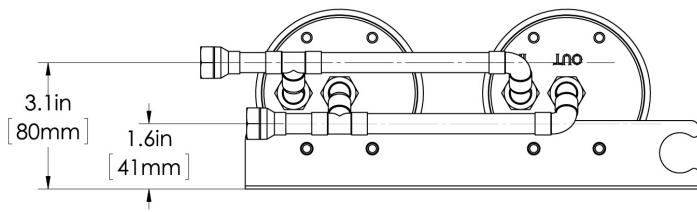
Plumbing Requirements

Inlet Connection	Outlet Connection	Min Operating Pressure	Max Operating Pressure	Min Operating Temperature	Max Operating Temperature
3/8 IIN NPT	3/8 IN NPT	40 psi (276 kPa)	300 psi (2068 kPa)	40°F(4°C)	200°F(93°C)



BUNN® reserves the right to change specifications and product design without notice. Such revisions do not entitle the buyer to corresponding changes, improvements, additions or replacements for previously purchased equipment. For most current specifications and other info visit bunn.com.

Last Updated:
02/20/2020



	Dimensions of Filter System <i>(filter head with filter cartridge)</i>			Installed Dimensions <i>(Installation with wall mounting)</i>			Cartridge Dimensions <i>(filter cartridge only)</i>		
	Height	Width	Depth	Height	Width	Depth	Height	Width	Depth
English	-	-	0.00 in.	-	-	-	-	-	-
Metric	-	-	-	-	-	-	-	-	-

	Weight		Shipping				
	Dry	Wet	Height	Width	Depth	Weight	Volume
English	0.0 lbs	0.0 lbs	9.00 in.	10.00 in.	14.50 in.	12.200 lbs	-
Metric	-	-	22.9 cm	25.4 cm	36.8 cm	5.534 kgs	-

WARRANTY: BUNN High Performance Water Filtration Solutions Systems by BUNN® (excluding water filters and water treatment replacement cartridges) are covered by a limited warranty against defects in material and workmanship for a period of five years after date of purchase, under normal use and service, and when installed in accordance with manufacturer's recommendations outlined in the filtration systems owner's manual. BUNN replaceable elements (water treatment cartridges, filter elements, and feeder elements) are covered by a limited warranty against defects in material and workmanship for a period of one year after date of purchase or the remainder of the original warranty, whichever is longer. See printed warranty for full details. BUNN will provide a copy of the warranty upon request.



BUNN® reserves the right to change specifications and product design without notice. Such revisions do not entitle the buyer to corresponding changes, improvements, additions or replacements for previously purchased equipment. For most current specifications and other info visit bunn.com.

Last Updated:
02/20/2020

Related Products & Accessories: DUAL EDSS-11-T200F System(30370.1002)

NO IMAGE AVAILABLE

WATER FILTER,EDSS11-T200F 4/CS

Product #: 30370.0000

NO IMAGE AVAILABLE

CARTRIDGE, EDSS-11-T200F-1 6/CS

Product #: 30370.0001



WATER FILTER, EDSS-11-T200F(1)

Product #: 30370.1000

NO IMAGE AVAILABLE

CARTRIDGE, EDSS-11-T200F-1 (1)

Product #: 30370.1001



BUNN® reserves the right to change specifications and product design without notice. Such revisions do not entitle the buyer to corresponding changes, improvements, additions or replacements for previously purchased equipment. For most current specifications and other info visit bunn.com.

Last Updated: 02/20/2020

Model Compatibility: DUAL EDSS-11-T200F System(30370.1002)

Serving and Holding selections are currently unavailable. Please contact your sales representative to find out more information.



BUNN® reserves the right to change specifications and product design without notice. Such revisions do not entitle the buyer to corresponding changes, improvements, additions or replacements for previously purchased equipment. For most current specifications and other info visit bunn.com.

Last Updated:
02/20/2020