

# DUAL EDSS-11-T200F System

0.0" x 0.0" x 0.0"  
(0.0cm x 0.0cm x 0.0cm)



- 5 micron graded density filtration for long life
- Designed for High Volume BUNN liquid coffee machines supplied with hot water
- Stainless steel housings assure reliable performance in high temperature or pressure applications
- Perfectly sized to ensure quality coffee and long-term performance
- Provides 4,000 gallons of superior sediment, taste/odor and chlorine reduction @ 4 gpm
- Hot and cold water applications up to 200F (93° C)
- Rigid construction of the stainless steel housing provides durability and withstands extreme water hammer
- In-line units have 316 stainless steel heads with 304 stainless steel housings, rated to 300 psi (2,069 kPa) for durability

**Agency:**

## Specifications

**Product #:** 30370.1002

**Cartridge Type:** Drop In

## Additional Features

### Capacity

Service Flow Rate	Capacity	Micron Rating
2.0 gal/min (7.6 L/min)	4000 gal. (15141.4 L) @0 GPG of hardness	5.0

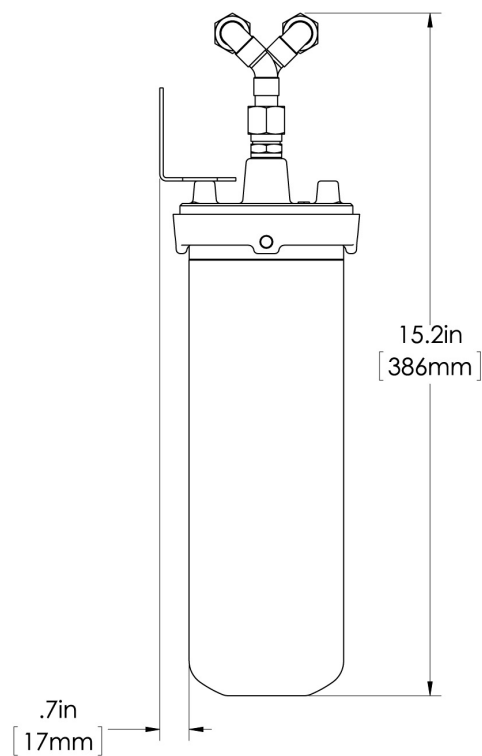
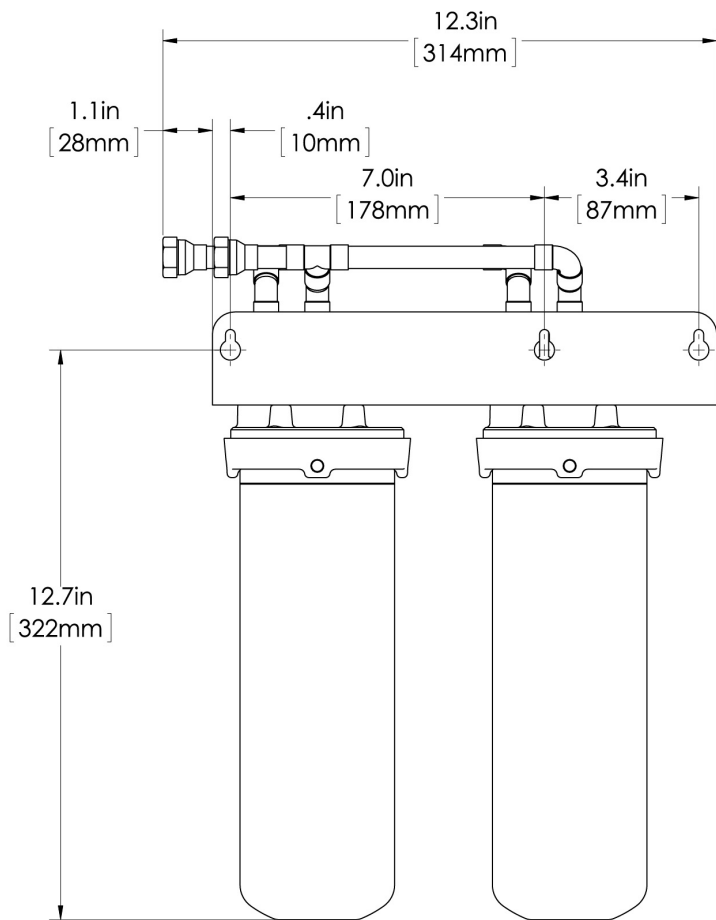
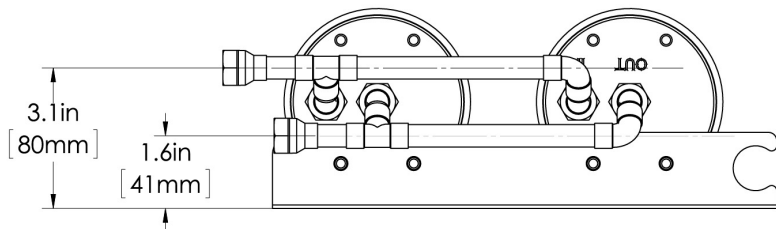
### Plumbing Requirements

Max Operating Pressure	Max Operating Temperature	Inlet Connection	Outlet Connection
300 psi (2068 kPa)	200°F(93°C)	3/8 IIN NPT	3/8 IN NPT



BUNN® reserves the right to change specifications and product design without notice. Such revisions do not entitle the buyer to corresponding changes, improvements, additions or replacements for previously purchased equipment. For most current specifications and other info visit [bunn.com](http://bunn.com).

**Created on:**  
09/05/2019



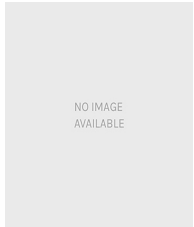
	Unit			Shipping				
	Width	Height	Depth	Width	Height	Depth	Weight	Volume
English	-	-	-	10.00 in.	9.00 in.	14.50 in.	12.200 lbs	-
Metric	-	-	-	25.4 cm	22.9 cm	36.8 cm	5.534 kgs	-



BUNN® reserves the right to change specifications and product design without notice. Such revisions do not entitle the buyer to corresponding changes, improvements, additions or replacements for previously purchased equipment. For most current specifications and other info visit [bunn.com](http://bunn.com).

Created on:  
09/05/2019

# Related Products & Accessories: DUAL EDSS-11-T200F System(30370.1002)



NO IMAGE  
AVAILABLE

WATER FILTER, EDSS11-  
T200F 4/CS

Product #: 30370.0000



NO IMAGE  
AVAILABLE

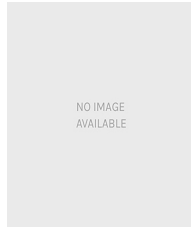
CARTRIDGE, EDSS-11-  
T200F-1 6/CS

Product #: 30370.0001



WATER FILTER,  
EDSS-11-T200F(1)

Product #: 30370.1000



NO IMAGE  
AVAILABLE

CARTRIDGE, EDSS-11-  
T200F-1 (1)

Product #: 30370.1001



BUNN® reserves the right to change specifications and product design without notice. Such revisions do not entitle the buyer to corresponding changes, improvements, additions or replacements for previously purchased equipment. For most current specifications and other info visit [bunn.com](http://bunn.com).

Created on:  
09/05/2019

# Model Compatibility: DUAL EDSS-11-T200F System(30370.1002)

\*Serving and Holding selections are currently unavailable. Please contact your sales representative to find out more information.\*



BUNN® reserves the right to change specifications and product design without notice. Such revisions do not entitle the buyer to corresponding changes, improvements, additions or replacements for previously purchased equipment. For most current specifications and other info visit [bunn.com](http://bunn.com).

Created on:  
09/05/2019