

WX1 Warmer

Height: 2.6" Width: 6.5" Depth: 7.6"
(6.6cm) (16.5cm) (19.3cm)

•

Feature points are currently unavailable.



Agency:



Specifications

Product #: 06450.0004

Finish: Stainless

Additional Features

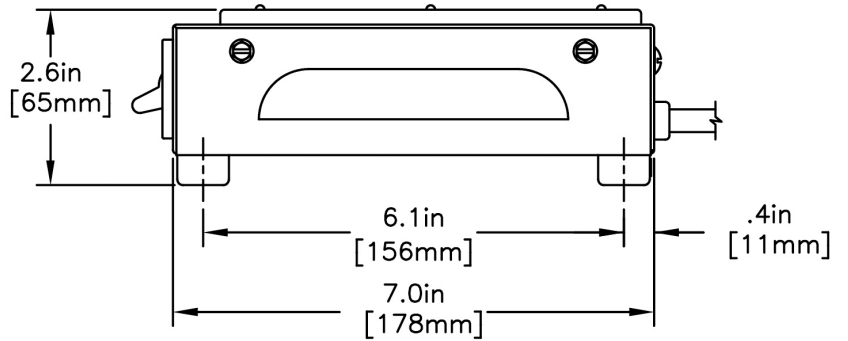
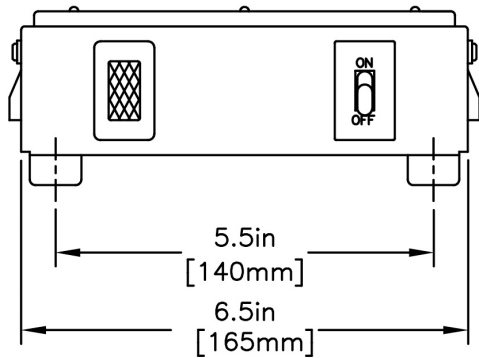
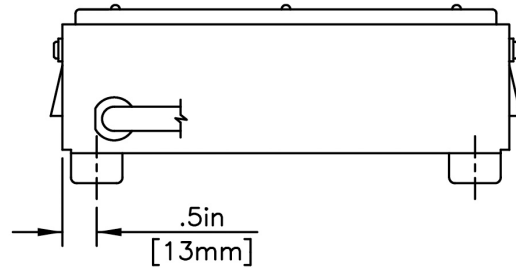
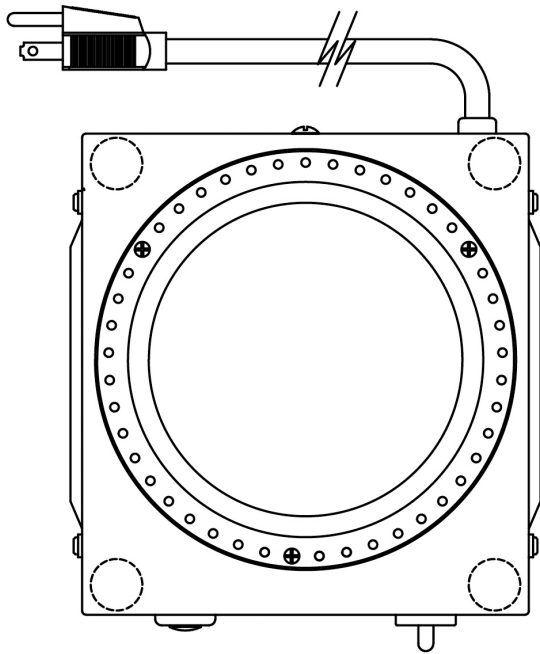
Holding Capacity

English	Metric
-	-



BUNN® reserves the right to change specifications and product design without notice. Such revisions do not entitle the buyer to corresponding changes, improvements, additions or replacements for previously purchased equipment. For most current specifications and other info visit bunn.com.

Last Updated:
04/08/2021



	Unit			Shipping				
	Height	Width	Depth	Height	Width	Depth	Weight	Volume
English	2.6 in.	6.5 in.	7.6 in.	10.1 in.	3.8 in.	8.3 in.	2.550 lbs	0.182 ft ³
Metric	6.6 cm	16.5 cm	19.3 cm	25.6 cm	9.5 cm	21.1 cm	1.157 kgs	0.005 m ³



BUNN® reserves the right to change specifications and product design without notice. Such revisions do not entitle the buyer to corresponding changes, improvements, additions or replacements for previously purchased equipment. For most current specifications and other info visit bunn.com.

Last Updated:
04/08/2021

Related Products & Accessories:WX1 Warmer(06450.0004)

Related Products selections are currently unavailable. Please contact your sales representative to find out more information.



BUNN® reserves the right to change specifications and product design without notice. Such revisions do not entitle the buyer to corresponding changes, improvements, additions or replacements for previously purchased equipment. For most current specifications and other info visit bunn.com.

Last Updated:
04/08/2021

Model Compatibility: WX1 Warmer(06450.0004)

Serving and Holding selections are currently unavailable. Please contact your sales representative to find out more information.



BUNN® reserves the right to change specifications and product design without notice. Such revisions do not entitle the buyer to corresponding changes, improvements, additions or replacements for previously purchased equipment. For most current specifications and other info visit bunn.com.

Last Updated:
04/08/2021