

WX2A Warmer

Height: 2.6" Width: 14.0" Depth: 7.0"
(6.6cm) (35.6cm) (17.8cm)

•

Feature points are currently unavailable.



Agency:

Specifications

Product #: 06310.0006

Finish: Stainless

Additional Features

Holding Capacity

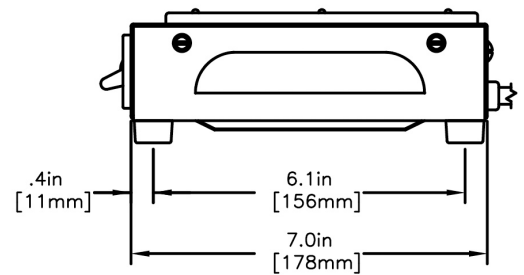
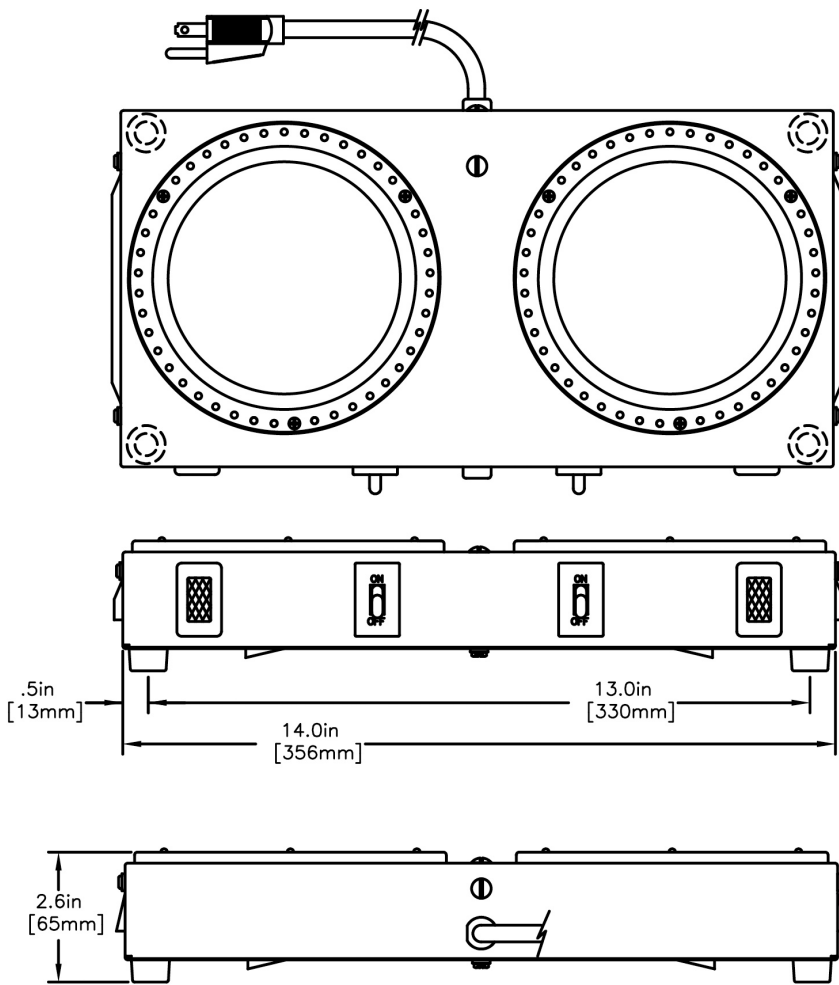
English	Metric
-	-

 WARNING:



BUNN® reserves the right to change specifications and product design without notice. Such revisions do not entitle the buyer to corresponding changes, improvements, additions or replacements for previously purchased equipment. For most current specifications and other info visit bunn.com.

Last Updated:
01/26/2022



	Unit			Shipping				
	Height	Width	Depth	Height	Width	Depth	Weight	Volume
English	2.6 in.	14.0 in.	7.0 in.	10.0 in.	4.0 in.	15.6 in.	4.000 lbs	0.360 ft ³
Metric	6.6 cm	35.6 cm	17.8 cm	25.4 cm	10.2 cm	39.5 cm	1.814 kgs	0.010 m ³



BUNN® reserves the right to change specifications and product design without notice. Such revisions do not entitle the buyer to corresponding changes, improvements, additions or replacements for previously purchased equipment. For most current specifications and other info visit bunn.com.

Last Updated:
01/26/2022

Related Products & Accessories:WX2A Warmer(06310.0006)

Related Products selections are currently unavailable. Please contact your sales representative to find out more information.



BUNN® reserves the right to change specifications and product design without notice. Such revisions do not entitle the buyer to corresponding changes, improvements, additions or replacements for previously purchased equipment. For most current specifications and other info visit bunn.com.

Last Updated:
01/26/2022

Model Compatibility: WX2A Warmer(06310.0006)

Serving and Holding selections are currently unavailable. Please contact your sales representative to find out more information.



BUNN® reserves the right to change specifications and product design without notice. Such revisions do not entitle the buyer to corresponding changes, improvements, additions or replacements for previously purchased equipment. For most current specifications and other info visit bunn.com.

Last Updated:
01/26/2022