

G9-2T DBC® BLK

Height: 27.1" Width: 8.3" Depth: 19.4"
(68.8cm) (21.1cm) (49.3cm)



- BUNN BrewWISE wireless functionality assures error free operation by communicating the type of coffee being used to the grinder
- The G9-2T DBC references the specific grind time for the coffee batch to be brewed, and communicates the coffee name and selected batch size to the Smart Funnel during the grinding process
- The BUNN BrewWISE brewer reads the information in the Smart Funnel, adjusts the recipe, and brews a perfect batch of coffee
- LCD alphanumeric display shows coffee names, programming parameters and diagnostics
- Compatible with both BUNN BrewWise and non-BrewWISE brewers, as well as other makes of batch brewers of up to 1.5 gallons capacity
- Stores individual coffee grind profiles
- Four year warranty on grinding burrs
- Portion controlled for the right amount of coffee every time with 3 batch sizes per hopper
- Two hoppers each hold 6lb (2.72kg) of regular, decaf or specialty coffee beans
- PROP 65 Warning Decal included in packaging with equipment

Agency:

Specifications

Product #: 33700.6001

Hopper Capacity: 6.00 lbs (2.722 kgs)

Interface: Wireless

Finish: Black

Hoppers: Two

Additional Features

BrewWISE

Electrical & Capacity

Volts*	Amps	Watts	Cord Attached	Plug Type	8oz cups/hr 236ml cups/hr	Input H ² O Temp.	Phase	# Wires plus Ground	Hertz
-	-	-	-	-	-	60°F (15.5°C)	-	-	-

*When a BUNN is machine rated 120/208-240V, 120/208V or 120/240V, the higher voltage is the supply voltage needed to power the machine. The 120V is there to supply power to some components rated 120V in the machine, but it is not the supply voltage and would not power the machine if the machine is marked with the before mentioned ratings.

Plumbing Requirements

PSI	kPa	Fitting Supplied	Water Flow Required (GPM)
-	-	-	-

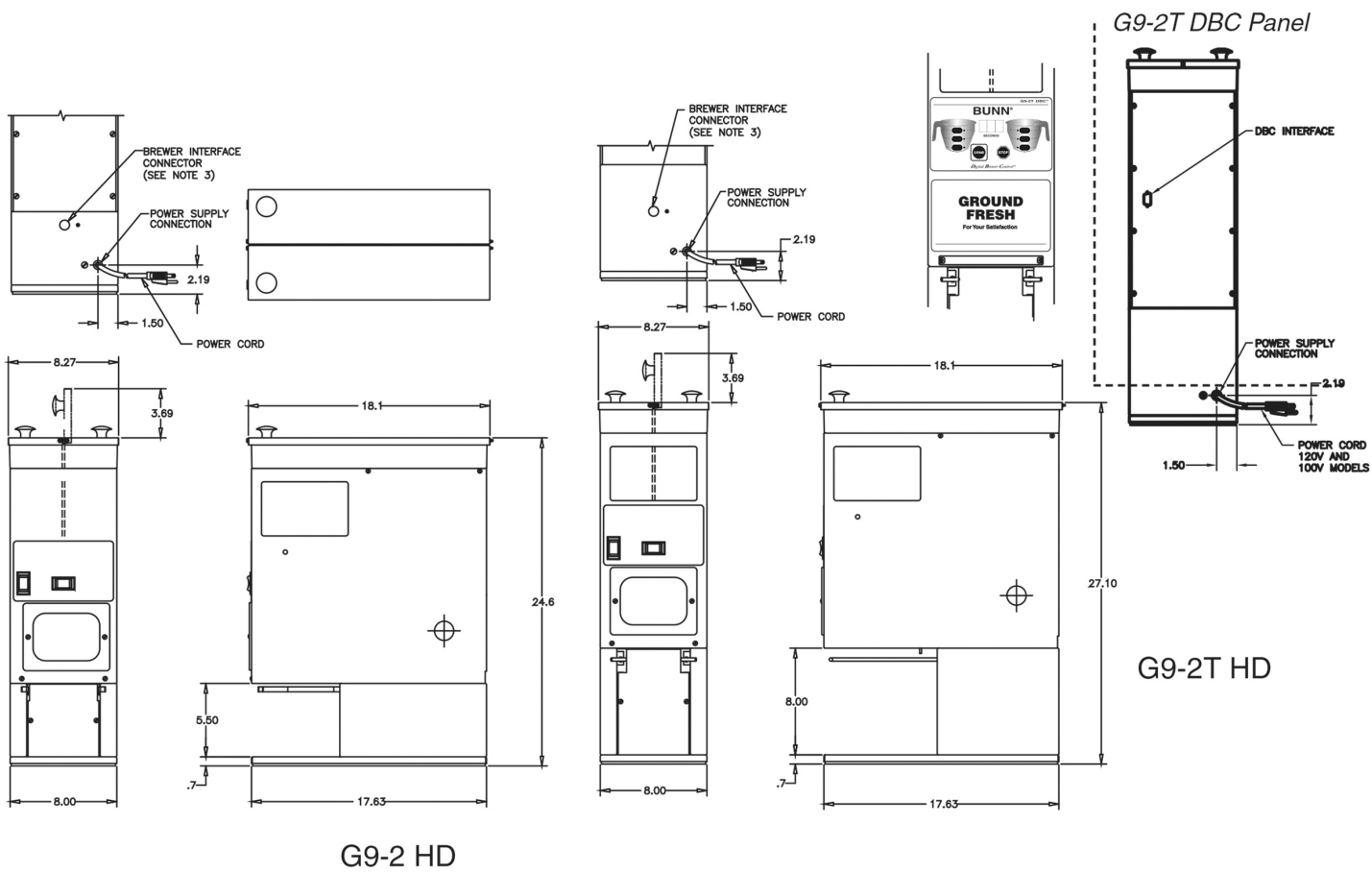
CAD Drawings

2D	Revit	KLC
●		



BUNN® reserves the right to change specifications and product design without notice. Such revisions do not entitle the buyer to corresponding changes, improvements, additions or replacements for previously purchased equipment. For most current specifications and other info visit bunn.com.

Last Updated:
09/25/2020



Unit				Shipping				
	Height	Width	Depth	Height	Width	Depth	Weight	Volume
English	27.1 in.	8.3 in.	19.4 in.	35.5 in.	13.4 in.	23.4 in.	-	6.423 ft ³
Metric	68.8 cm	21.1 cm	49.3 cm	90.2 cm	34.0 cm	59.4 cm	-	0.182 m ³



BUNN® reserves the right to change specifications and product design without notice. Such revisions do not entitle the buyer to corresponding changes, improvements, additions or replacements for previously purchased equipment. For most current specifications and other info visit bunn.com.

Last Updated:
09/25/2020

Related Products & Accessories: G9-2T DBC® BLK(33700.6001)



BURR SET KIT, NEW

Product #: 05861.1002

DECHAFFER PLATE,
SPRING STEEL

Product #: 05995.0000



BURR SET KIT, TURKISH
GRIND

Product #: 11285.1000



BUNN® reserves the right to change specifications and product design without notice. Such revisions do not entitle the buyer to corresponding changes, improvements, additions or replacements for previously purchased equipment. For most current specifications and other info visit bunn.com.

Last Updated:
09/25/2020

Serving & Holding Options: G9-2T DBC® BLK(33700.6001)

Serving and Holding selections are currently unavailable. Please contact your sales representative to find out more information.



BUNN® reserves the right to change specifications and product design without notice. Such revisions do not entitle the buyer to corresponding changes, improvements, additions or replacements for previously purchased equipment. For most current specifications and other info visit bunn.com.

Last Updated:
09/25/2020