

# G9-2 HD-S Stainless

Height: 25.0" Width: 8.0" Depth: 18.0"  
(63.5cm) (20.3cm) (45.7cm)

- Four year warranty on grinding burrs
- Portion controlled for the right amount of coffee every time
- Precision burrs for consistent, commercial quality grind
- Two hoppers each hold 6lb (2.72kg) of regular, decaf or specialty coffee beans

NO IMAGE  
AVAILABLE

Agency:

## Specifications

**Product #:** 24250.6005

**Hopper Capacity:** 6.00 lbs (2.722 kgs)

**Interface:** Cabled

**Finish:** Stainless

**Hoppers:** Two

## Additional Features

## Electrical & Capacity

Volts*	Amps	Watts	Cord Attached	Plug Type	8oz cups/hr 236ml cups/hr	Input H <sub>2</sub> O Temp.	Phase	# Wires plus Ground	Hertz
-	-	-	-	-	-	60°F (15.5°C)	-	-	-

\*When a BUNN is machine rated 120/208-240V, 120/208V or 120/240V, the higher voltage is the supply voltage needed to power the machine. The 120V is there to supply power to some components rated 120V in the machine, but it is not the supply voltage and would not power the machine if the machine is marked with the before mentioned ratings.

## Plumbing Requirements

PSI	kPa	Fitting Supplied	Water Flow Required (GPM)
-	-	-	-

## CAD Drawings

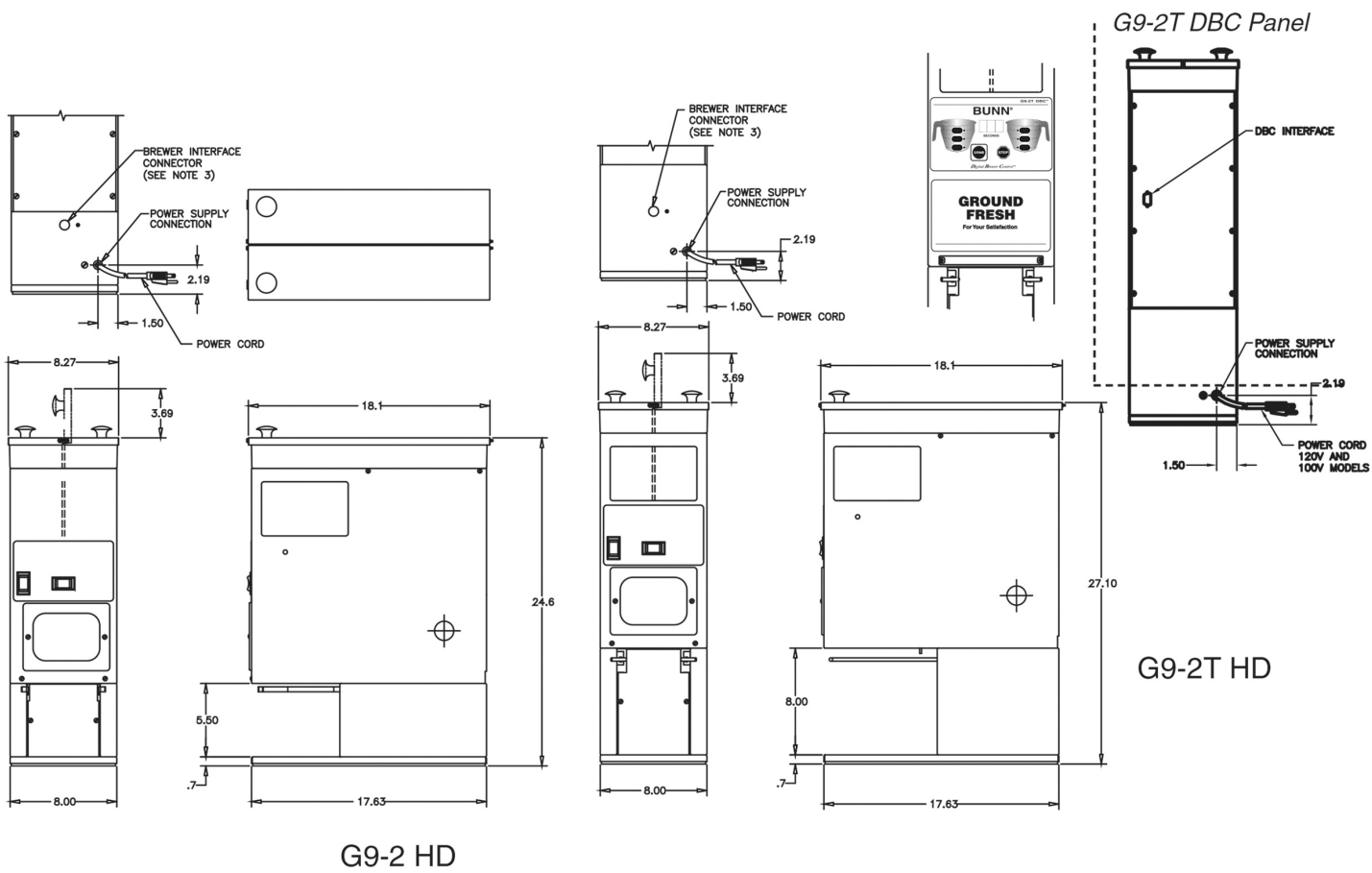
2D	Revit	KLC
●		

 **WARNING:**



BUNN® reserves the right to change specifications and product design without notice. Such revisions do not entitle the buyer to corresponding changes, improvements, additions or replacements for previously purchased equipment. For most current specifications and other info visit [bunn.com](http://bunn.com).

**Last Updated:**  
12/15/2022



G9-2 HD

G9-2T HD

Unit			Shipping					
	Height	Width	Depth	Height	Width	Depth	Weight	Volume
English	25.0 in.	8.0 in.	18.0 in.	-	-	-	-	-
Metric	63.5 cm	20.3 cm	45.7 cm	-	-	-	-	-



BUNN® reserves the right to change specifications and product design without notice. Such revisions do not entitle the buyer to corresponding changes, improvements, additions or replacements for previously purchased equipment. For most current specifications and other info visit [bunn.com](http://bunn.com).

Last Updated:  
12/15/2022

# Related Products & Accessories: G9-2 HD-S Stainless(24250.6005)



BURR SET KIT, NEW

Product #: 05861.1002

DECHAFFER PLATE,  
SPRING STEEL

Product #: 05995.0000



BURR SET KIT, TURKISH  
GRIND

Product #: 11285.1000



BUNN® reserves the right to change specifications and product design without notice. Such revisions do not entitle the buyer to corresponding changes, improvements, additions or replacements for previously purchased equipment. For most current specifications and other info visit [bunn.com](http://bunn.com).

Last Updated:  
12/15/2022

# Serving & Holding Options: G9-2 HD-S Stainless(24250.6005)

\*Serving and Holding selections are currently unavailable. Please contact your sales representative to find out more information.\*



BUNN® reserves the right to change specifications and product design without notice. Such revisions do not entitle the buyer to corresponding changes, improvements, additions or replacements for previously purchased equipment. For most current specifications and other info visit [bunn.com](http://bunn.com).

Last Updated:  
12/15/2022