

LPG SST

Height: 15.1" (38.4cm) Width: 8.6" (21.8cm) Depth: 10.0" (25.4cm)



- Large, clear bean hopper merchandises 6 lb (2.72kg) of fresh regular, decaf or specialty coffee beans
- Easy access on back for grind weight adjustment
- Four year warranty on grinding burrs
- Just 8.64" (21.95cm) wide and a low profile height of 15.1" (38.4cm)
- Powered by quiet, high torque motor
- Professional grind provided by large 3.19" (8.1cm) diameter burrs powered by quiet, low speed, high torque motor

Agency:



Specifications

Product #: 20580.0001

Finish: Stainless

Hoppers: One

Hopper Capacity: 6.00 lbs (2.722 kgs)

Electrical & Capacity

| Volts* | Amps | Watts | Cord Attached | Plug Type | 8oz cups/hr 236ml cups/hr | Input H ² O Temp. | Phase | # Wires plus Ground | Hertz |
|--------|------|-------|---------------|------------|------------------------------|------------------------------|-------|---------------------|-------|
| 120 | 3 | 360 | Yes | NEMA 5-15P | - | 60°F (15.5°C) | 1 | 2 | 60 |

*When a BUNN is machine rated 120/208-240V, 120/208V or 120/240V, the higher voltage is the supply voltage needed to power the machine. The 120V is there to supply power to some components rated 120V in the machine, but it is not the supply voltage and would not power the machine if the machine is marked with the before mentioned ratings.

Additional Features

Plumbing Requirements

| PSI | kPa | Fitting Supplied | Water Flow Required (GPM) |
|-----|-----|------------------|---------------------------|
| - | - | - | - |

CAD Drawings

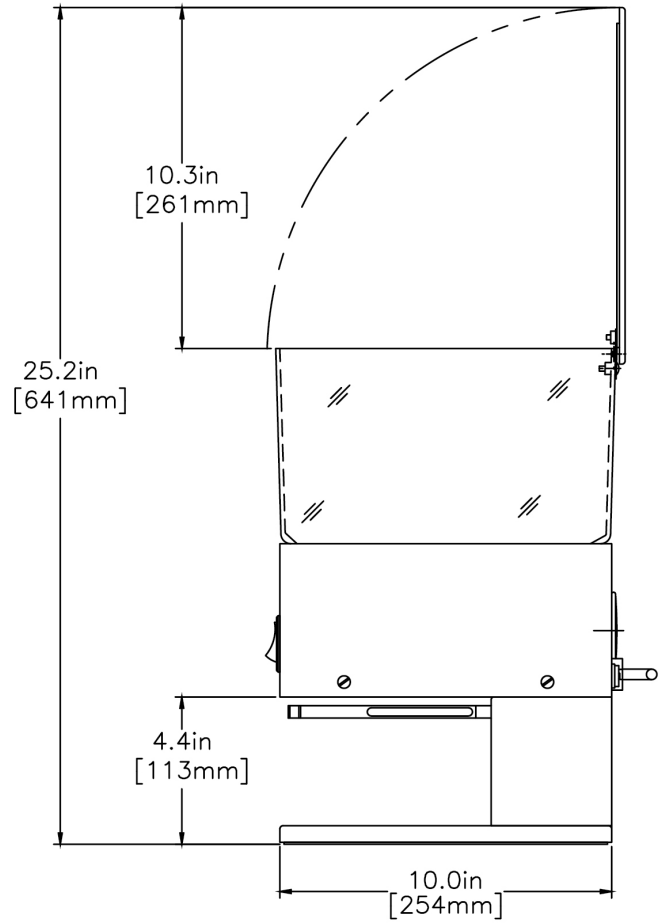
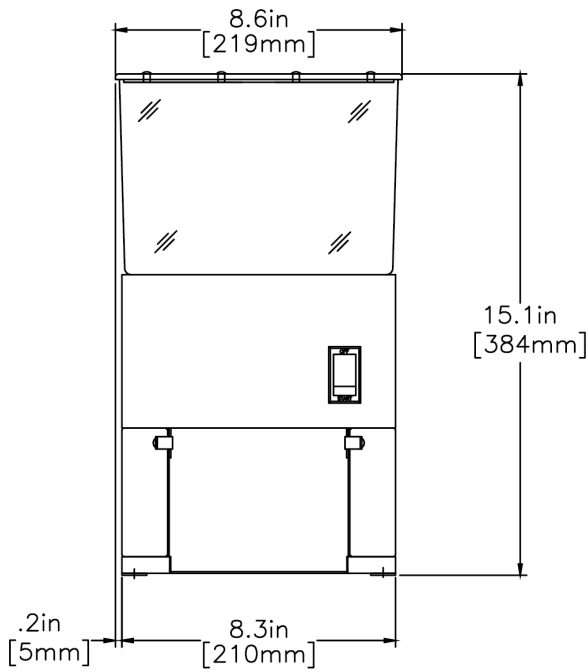
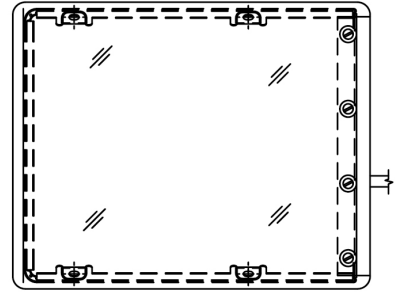
| 2D | Revit | KLC |
|----|-------|-----|
| ● | | |

WARNING:



BUNN® reserves the right to change specifications and product design without notice. Such revisions do not entitle the buyer to corresponding changes, improvements, additions or replacements for previously purchased equipment. For most current specifications and other info visit bunn.com.

Last Updated:
09/30/2022



| | Unit | | | Shipping | | | | |
|---------|----------|---------|----------|----------|----------|----------|------------|-----------------------|
| | Height | Width | Depth | Height | Width | Depth | Weight | Volume |
| English | 15.1 in. | 8.6 in. | 10.0 in. | 23.8 in. | 12.9 in. | 15.0 in. | 22.550 lbs | 2.654 ft ³ |
| Metric | 38.4 cm | 21.8 cm | 25.4 cm | 60.3 cm | 32.7 cm | 38.1 cm | 10.229 kgs | 0.075 m ³ |



BUNN® reserves the right to change specifications and product design without notice. Such revisions do not entitle the buyer to corresponding changes, improvements, additions or replacements for previously purchased equipment. For most current specifications and other info visit bunn.com.

Last Updated:
09/30/2022

Related Products & Accessories:LPG SST(20580.0001)



BURR SET KIT, NEW

Product #: 05861.1002



BURR SET KIT, TURKISH GRIND

Product #: 11285.1000

SPRING PLATE, DECHAFFING

Product #: 20588.0000

KIT, FINE GRIND DECHAFFER

Product #: 43724.0000



BUNN® reserves the right to change specifications and product design without notice. Such revisions do not entitle the buyer to corresponding changes, improvements, additions or replacements for previously purchased equipment. For most current specifications and other info visit bunn.com.

Last Updated:
09/30/2022

Serving & Holding Options: LPG SST(20580.0001)

Serving and Holding selections are currently unavailable. Please contact your sales representative to find out more information.



BUNN® reserves the right to change specifications and product design without notice. Such revisions do not entitle the buyer to corresponding changes, improvements, additions or replacements for previously purchased equipment. For most current specifications and other info visit bunn.com.

Last Updated:
09/30/2022