

TDS-3.5 Dispenser w/Solid Lid

Height: 22.6" Width: 12.8" Depth: 12.4"
(57.4cm) (32.5cm) (31.5cm)

- Faucet handles are labeled sweetened and unsweetened. Side handles are mounted offset for closer side-by-side positioning* (* Some TDS-3 and TDS-5 models in stock may not have these features.)
- Sump dispense valve assures complete dispensing



Agency:



Specifications

Product #: 33000.0023

Finish: Stainless

Handle: Side Carry Handles

Lid Color: Black

Additional Features

Holding Capacity

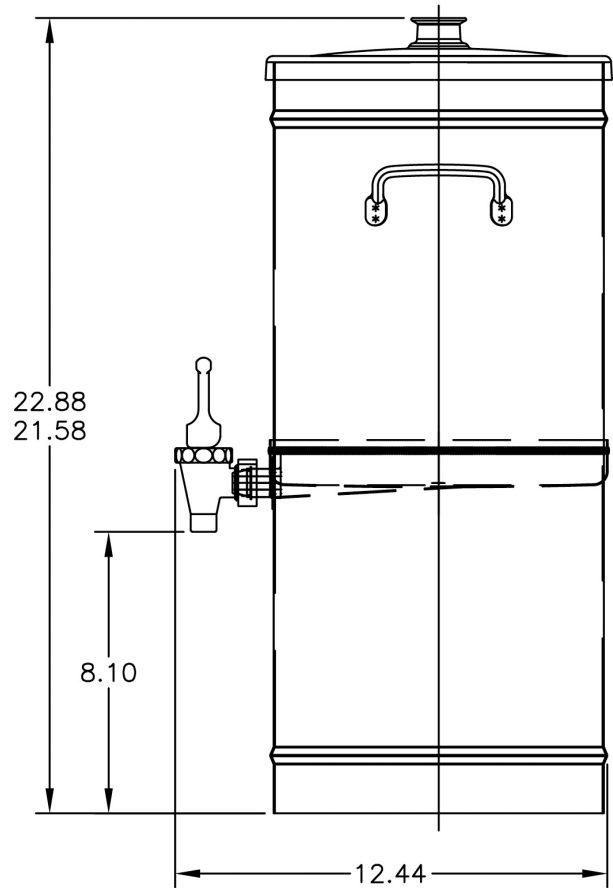
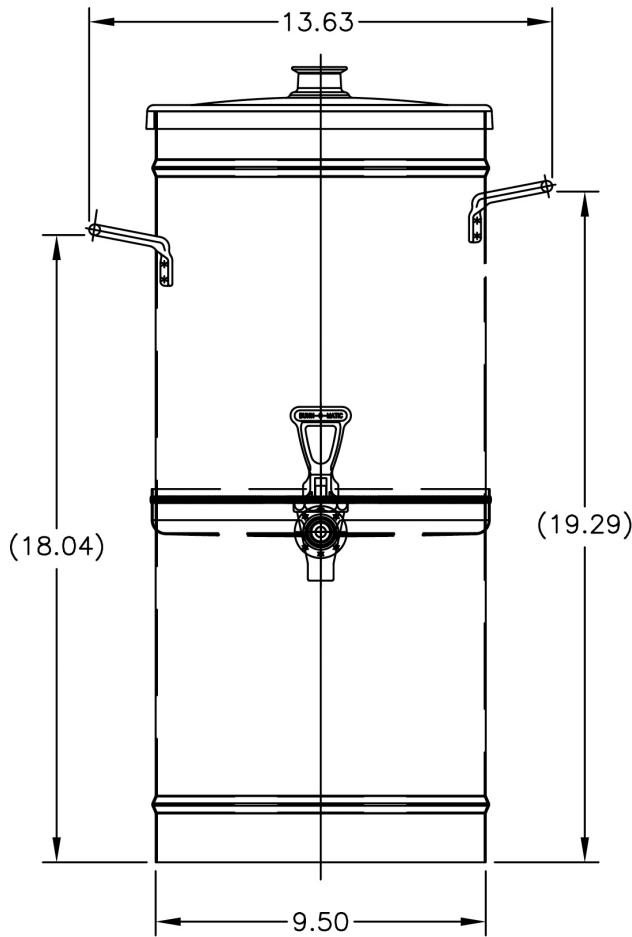
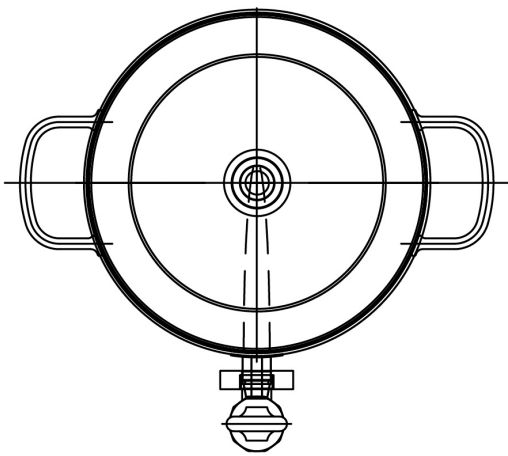
English	Metric
448 oz.	13.2 L

 **WARNING:**



BUNN® reserves the right to change specifications and product design without notice. Such revisions do not entitle the buyer to corresponding changes, improvements, additions or replacements for previously purchased equipment. For most current specifications and other info visit bunn.com.

Last Updated:
03/03/2026



	Unit			Shipping				
	Height	Width	Depth	Height	Width	Depth	Weight	Volume
English	22.6 in.	12.8 in.	12.4 in.	23.0 in.	11.0 in.	11.0 in.	12.000 lbs	1.611 ft ³
Metric	57.4 cm	32.5 cm	31.5 cm	58.4 cm	27.9 cm	27.9 cm	5.443 kgs	0.046 m ³



BUNN® reserves the right to change specifications and product design without notice. Such revisions do not entitle the buyer to corresponding changes, improvements, additions or replacements for previously purchased equipment. For most current specifications and other info visit bunn.com.

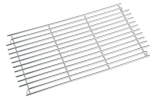
Last Updated:
03/03/2026

Related Products & Accessories:TDS-3.5 Dispenser w/Solid Lid(33000.0023)



DRIP TRAY, TDO/TCD

Product #: 03207.0004



WIRE GRILL,DRIP TRAY
(SINGLE)

Product #: 26801.0000



DRIP TRAY KIT, TCD/
TDO

Product #: 38029.1000



KIT, PUSH STYLE SST
HANDLE ADAPTER

Product #: 57480.0000

¹NSF Certified ²NSF Certified with spec sheet model listed ³NSF Certified under Solventum Purification ⁴NSF Certified under Mavea LLC ⁵NSF Certified under Zojirushi ⁶NSF Certified under Qins Inc ⁷NSF COMPONENT Certified



BUNN® reserves the right to change specifications and product design without notice. Such revisions do not entitle the buyer to corresponding changes, improvements, additions or replacements for previously purchased equipment. For most current specifications and other info visit bunn.com.

Last Updated:
03/03/2026

Model Compatibility: TDS-3.5 Dispenser w/Solid Lid(33000.0023)

Serving and Holding selections are currently unavailable. Please contact your sales representative to find out more information.

¹NSF Certified ²NSF Certified with spec sheet model listed ³NSF Certified under Solventum Purification ⁴NSF Certified under Mavea LLC ⁵NSF Certified under Zojirushi ⁶NSF Certified under Qins Inc ⁷NSF COMPONENT Certified



BUNN® reserves the right to change specifications and product design without notice. Such revisions do not entitle the buyer to corresponding changes, improvements, additions or replacements for previously purchased equipment. For most current specifications and other info visit bunn.com.

Last Updated:
03/03/2026