

TD3T-N Dispenser w/Brew-Thru Lid

Height: 22.5" Width: 6.2" Depth: 19.9"
(57.2cm) (15.7cm) (50.5cm)



- Removable liner for easy cleaning
- 8" cup clearance
- For use with BUNN TB-3, TB-3Q, ITB and ITCB brewers with 29" trunk height
- Front - back handles for reduced counterspace usage
- Ships with full-color iced tea decal
- Sight gauge shows product level in dispenser
- Sump dispense valve assures complete dispensing
- Two dispensers, placed side-by-side, allow added flexibility and capacity within a similar footprint as as standard dispenser width

Agency:



Specifications

Product #: 43900.0001

Finish: Stainless

Handle: Front/Back Carry Handles

Lid Color: Brew-Through Smoke Lid

Additional Features

Lift Dispense Faucet

Holding Capacity

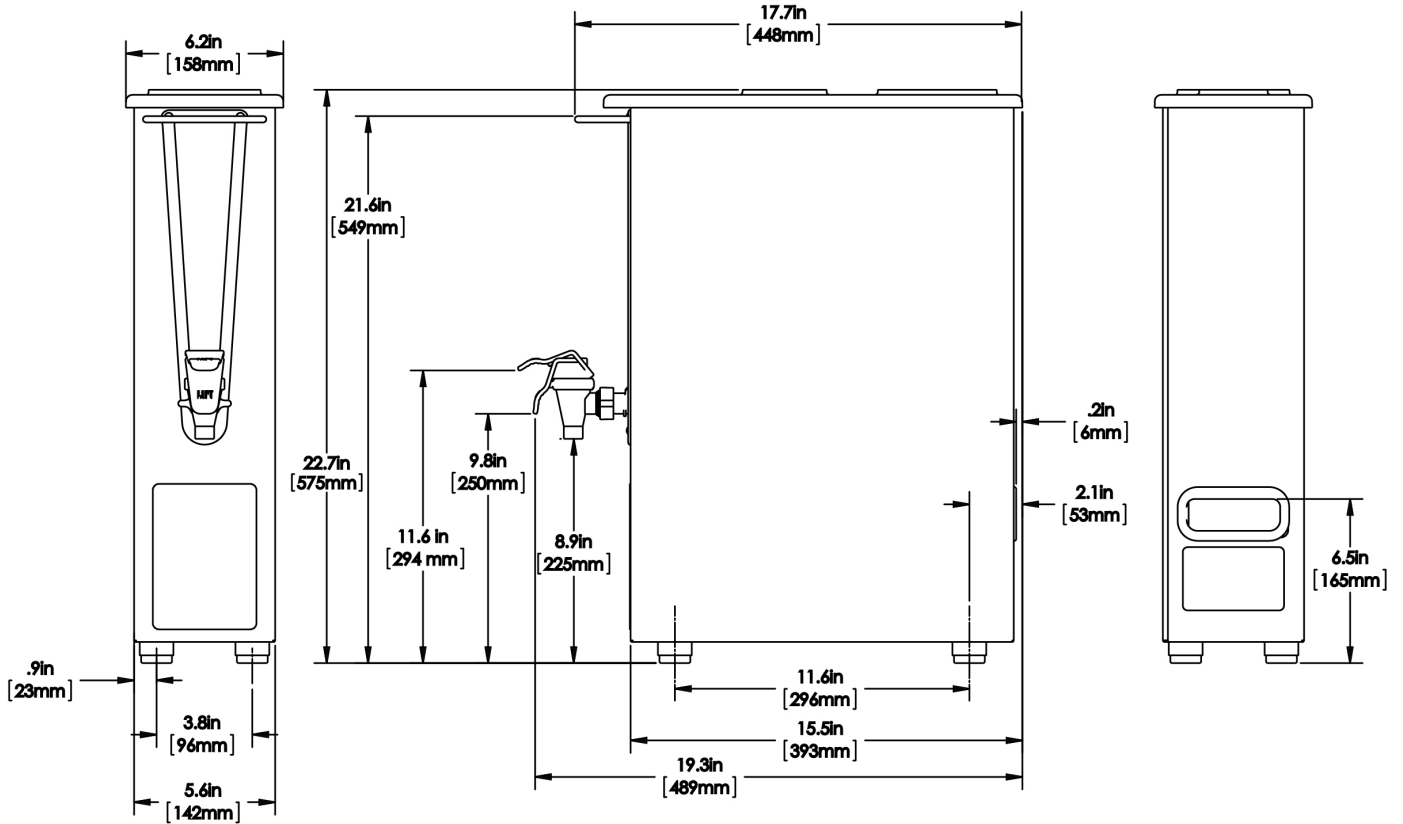
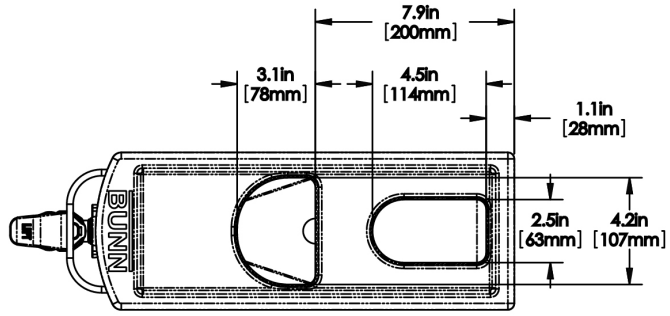
English	Metric
448 oz.	13.2 L

 **WARNING:**



BUNN® reserves the right to change specifications and product design without notice. Such revisions do not entitle the buyer to corresponding changes, improvements, additions or replacements for previously purchased equipment. For most current specifications and other info visit bunn.com.

Last Updated:
12/30/2025





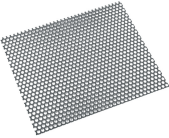

	Unit			Shipping				
	Height	Width	Depth	Height	Width	Depth	Weight	Volume
English	22.5 in.	6.2 in.	19.9 in.	25.1 in.	7.5 in.	20.9 in.	15.000 lbs	2.283 ft ³
Metric	57.2 cm	15.7 cm	50.5 cm	63.8 cm	19.1 cm	53.2 cm	6.804 kgs	0.065 m ³



BUNN® reserves the right to change specifications and product design without notice. Such revisions do not entitle the buyer to corresponding changes, improvements, additions or replacements for previously purchased equipment. For most current specifications and other info visit bunn.com.

Last Updated:
12/30/2025

Related Products & Accessories:TD3T-N Dispenser w/Brew-Thru Lid(43900.0001)

 <p>DRIP TRAY KIT (2.5\"HT- HW2)</p> <hr/> <p>Product #: 02497.0000</p>	 <p>DRIP TRAY</p> <hr/> <p>Product #: 02545.0000</p>	 <p>COVER, DRIP TRAY- PERFORATED</p> <hr/> <p>Product #: 02546.0000</p>	<p>RESERVOIR, TD3T-N REMOVABLE</p> <hr/> <p>Product #: 44309.0003²</p>	<p>LID, BREW THRU TD3T- N</p> <hr/> <p>Product #: 44310.0003²</p>
<p>LID, SOLID TD3T-N</p> <hr/> <p>Product #: 44310.0004²</p>	 <p>KIT,OLD SH/GPR/ NUDGE/LIFT HANDLE ADAPTER</p> <hr/> <p>Product #: 57514.0000</p>			

¹NSF Certified ²NSF Certified with spec sheet model listed ³NSF Certified under Solventum Purification ⁴NSF Certified under Mavea LLC ⁵NSF Certified under Zojirushi ⁶NSF Certified under Qins Inc ⁷NSF COMPONENT Certified



BUNN® reserves the right to change specifications and product design without notice. Such revisions do not entitle the buyer to corresponding changes, improvements, additions or replacements for previously purchased equipment. For most current specifications and other info visit bunn.com.

Last Updated:
12/30/2025

Model Compatibility: TD3T-N Dispenser w/Brew-Thru Lid(43900.0001)

Serving and Holding selections are currently unavailable. Please contact your sales representative to find out more information.

¹NSF Certified ²NSF Certified with spec sheet model listed ³NSF Certified under Solventum Purification ⁴NSF Certified under Mavea LLC ⁵NSF Certified under Zojirushi ⁶NSF Certified under Qins Inc ⁷NSF COMPONENT Certified



BUNN® reserves the right to change specifications and product design without notice. Such revisions do not entitle the buyer to corresponding changes, improvements, additions or replacements for previously purchased equipment. For most current specifications and other info visit bunn.com.

Last Updated:
12/30/2025