


# CW15-TS

Height: 27.6" Width: 9.0" Depth: 18.5"  
(70.1cm) (22.9cm) (47.0cm)

- Hot water faucet
- Internal components are constructed from stainless steel
- Pourover feature
- Servers not included unless otherwise noted



 Server(s) sold separately

Agency:

## Specifications

**Product #:** 23000.6000

**Water Access:** Not Plumbed

**Finish:** Black

**Funnel:** Black Plastic

## Additional Features

## Electrical & Capacity

Volts*	Amps	Watts	Cord Attached	Plug Type	8oz cups/hr 236ml cups/hr	Input H <sup>2</sup> O Temp.	Phase	# Wires plus Ground	Hertz
-	-	-	-	-	61	60°F (15.5°C)	-	-	-

\*When a BUNN is machine rated 120/208-240V, 120/208V or 120/240V, the higher voltage is the supply voltage needed to power the machine. The 120V is there to supply power to some components rated 120V in the machine, but it is not the supply voltage and would not power the machine if the machine is marked with the before mentioned ratings.

## Plumbing Requirements

PSI	kPa	Fitting Supplied	Water Flow Required (GPM)
-	-	-	-

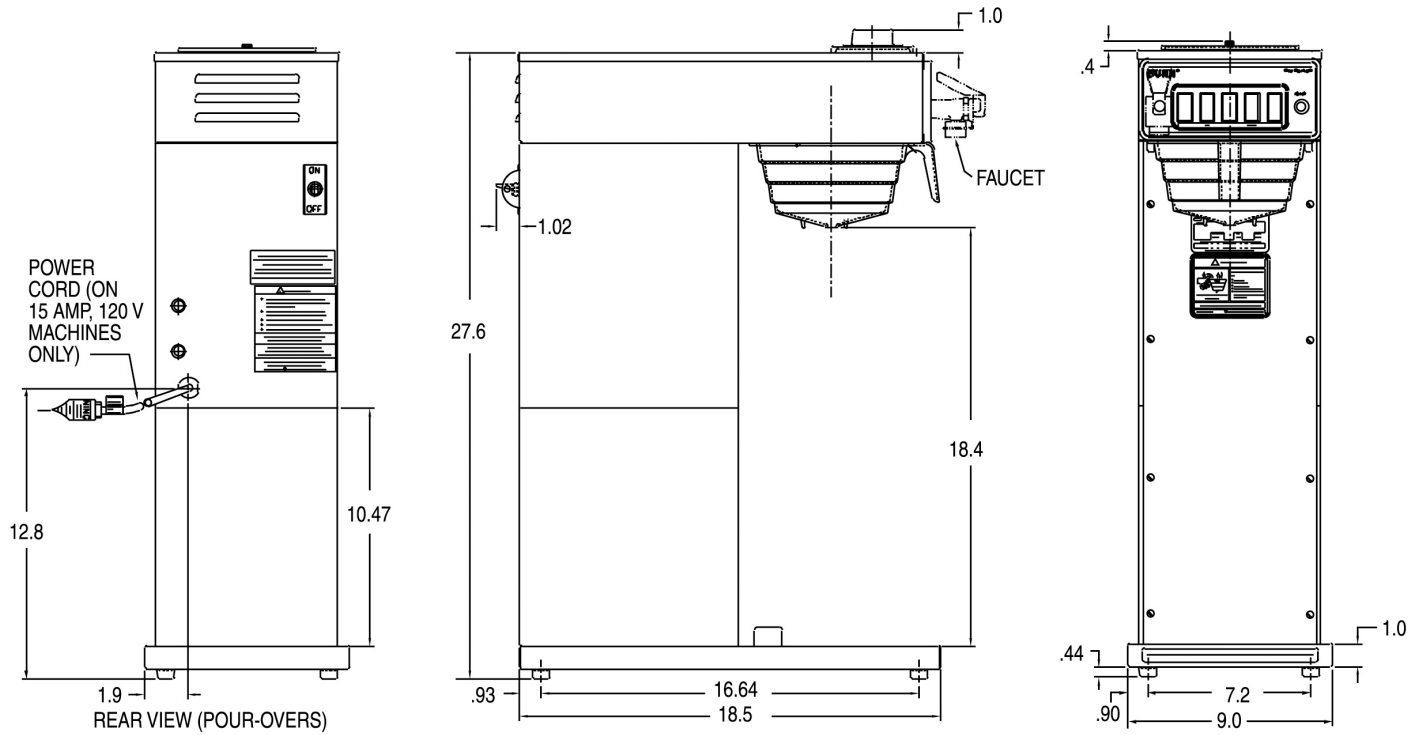
## CAD Drawings

2D	Revit	KLC
●		



BUNN® reserves the right to change specifications and product design without notice. Such revisions do not entitle the buyer to corresponding changes, improvements, additions or replacements for previously purchased equipment. For most current specifications and other info visit [bunn.com](http://bunn.com).

Last Updated:  
03/22/2021



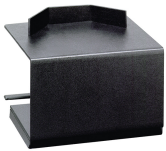
	Unit			Shipping				
	Height	Width	Depth	Height	Width	Depth	Weight	Volume
English	27.6 in.	9.0 in.	18.5 in.	-	-	-	-	-
Metric	70.1 cm	22.9 cm	47.0 cm	-	-	-	-	-



BUNN® reserves the right to change specifications and product design without notice. Such revisions do not entitle the buyer to corresponding changes, improvements, additions or replacements for previously purchased equipment. For most current specifications and other info visit [bunn.com](http://bunn.com).

Last Updated:  
03/22/2021

Related Products & Accessories: CW15-TS(23000.6000)



TSB, THERMAL SERVER  
BOOSTER

Product #: 18010.6000



FILTERS, REG/1M

Product #: 20115.6000



BUNN® reserves the right to change specifications and product design without notice. Such revisions do not entitle the buyer to corresponding changes, improvements, additions or replacements for previously purchased equipment. For most current specifications and other info visit [bunn.com](http://bunn.com).

Last Updated:  
03/22/2021

## Serving & Holding Options: CW15-TS(23000.6000)

NO IMAGE  
AVAILABLE

ACC,THERMAL SERVER  
GLS 2.5L STD BTL

Product #:23300.6101

NO IMAGE  
AVAILABLE

ACC,THERMAL SERVER  
SST 2.5L STD BTL

Product #:23300.6120



BUNN® reserves the right to change specifications and product design without notice. Such revisions do not entitle the buyer to corresponding changes, improvements, additions or replacements for previously purchased equipment. For most current specifications and other info visit [bunn.com](http://bunn.com).

Last Updated:  
03/22/2021